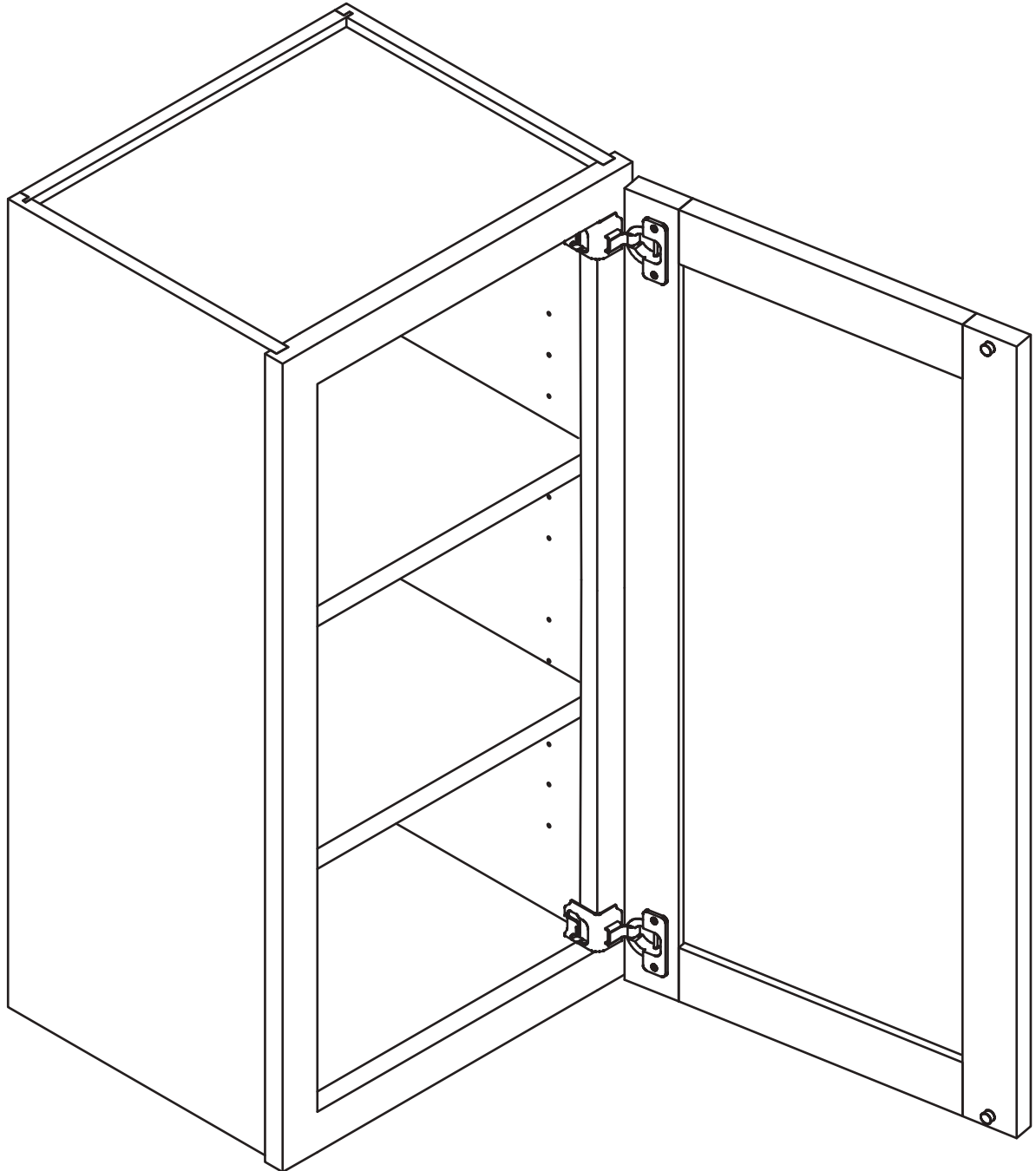


# Assembly Instruction

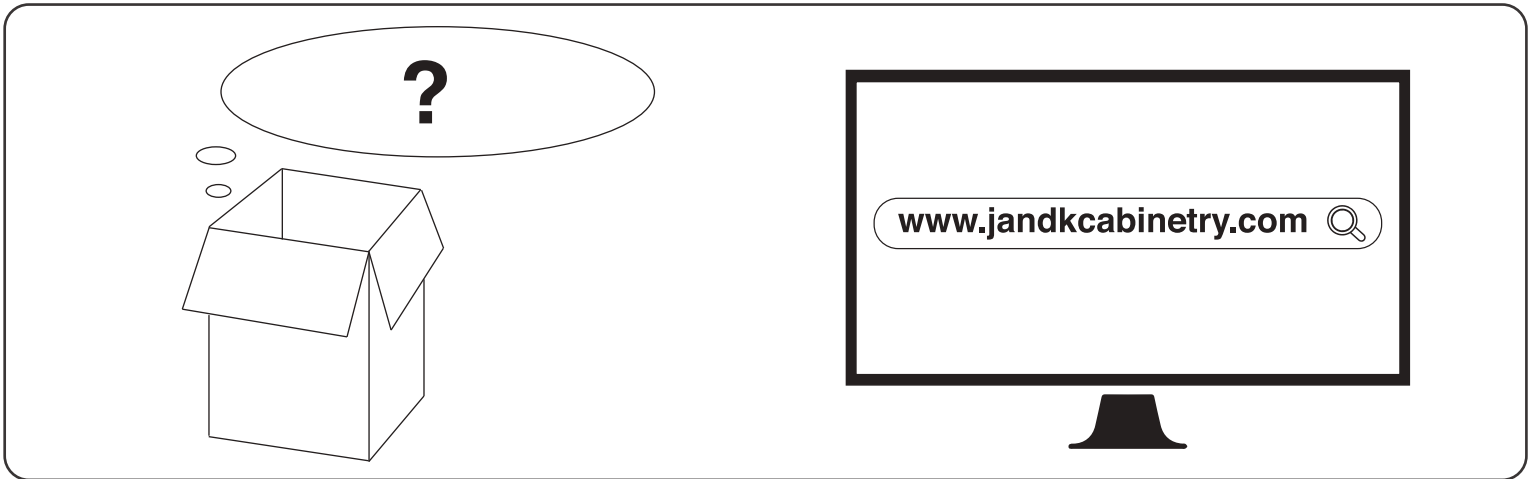
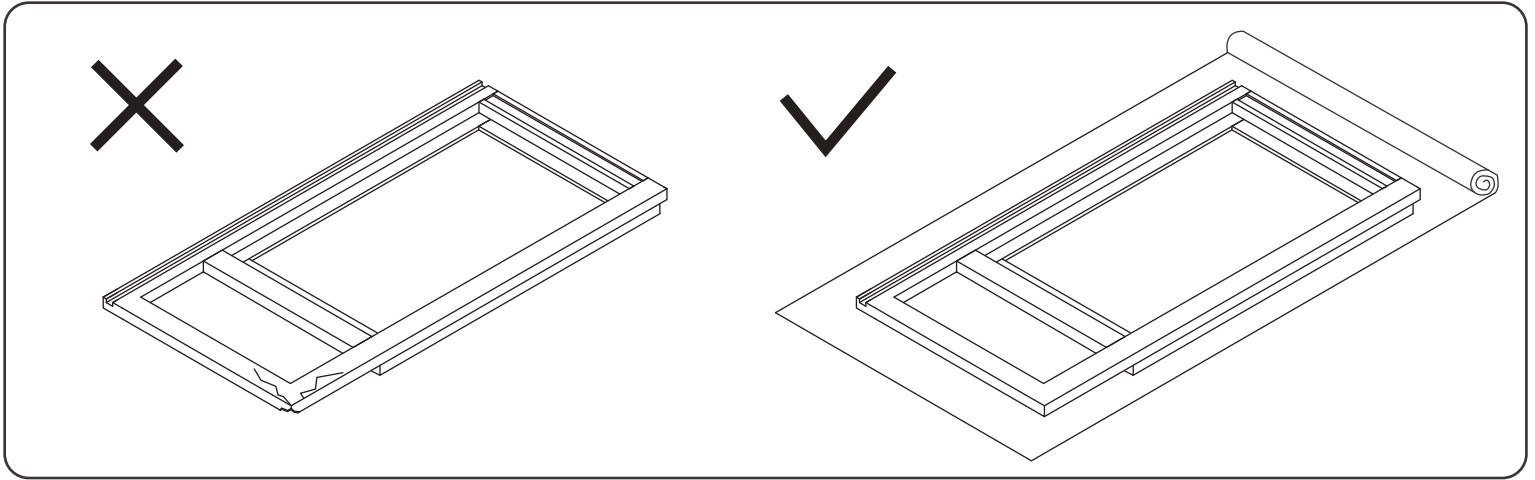
2020 Edition



## Wall Cabinet

Item Code:

W0930, W1230, W1530, W1830, W2130  
W0936, W1236, W1536, W1836, W2136



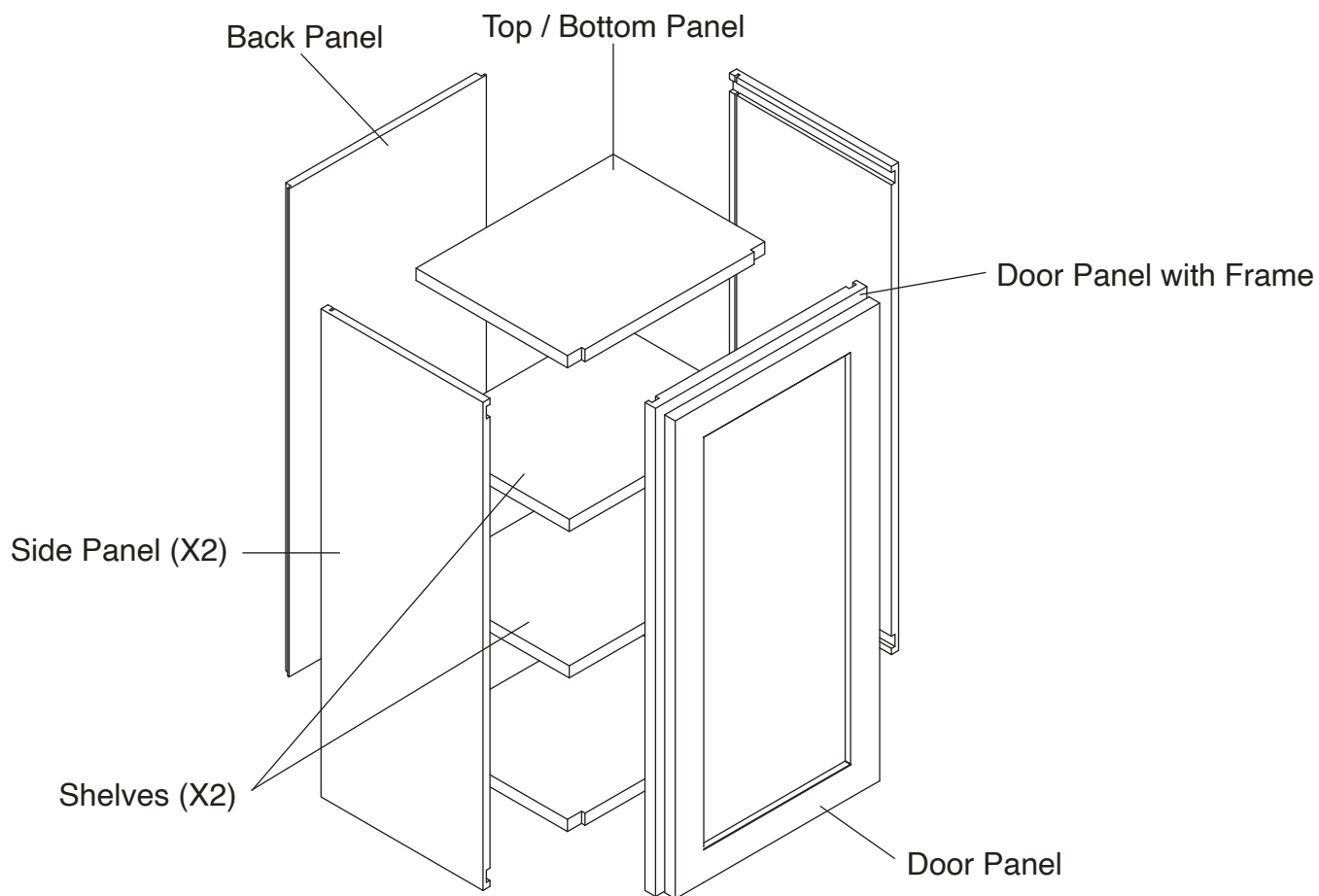
**! WARNING:**



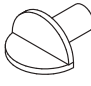
1. Please be careful when opening the box with boxcutter and/or blade.
2. J&K Cabinetry is not responsible for any injuries and/or damages incurred during cabinet assembly.

**? SERVICE:**

During the installation process, if you encounter any problems, please go to our official website: [www.jandkcabinetry.com](http://www.jandkcabinetry.com), check the full version assembly instruction or watch the assembly video online.

# Included Items:



1-3/16" 		
Screws X 4	Door Bumpers X 2	Shelf Pins X 8

## Recommended Tools:



Wood Glue



Screw Driver



Rubber Mallet



Compressor



Nail Gun



Stapler



Senco Fastener

## Safety Tools:

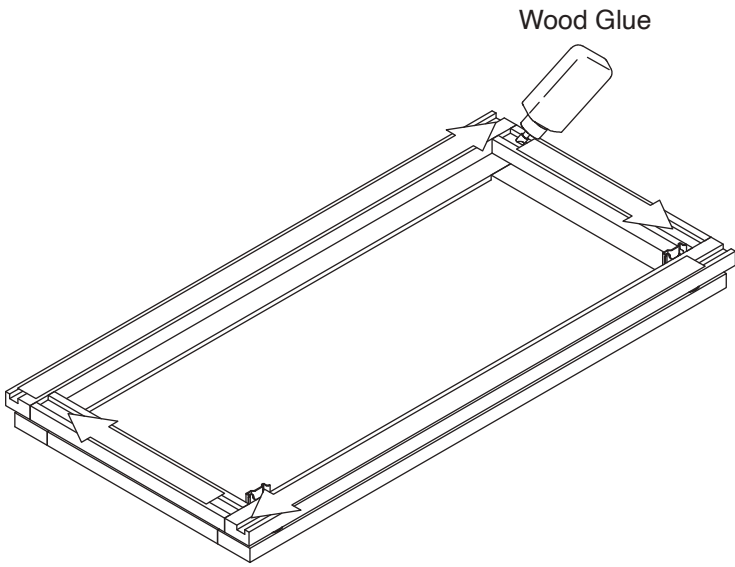


Eye Wear

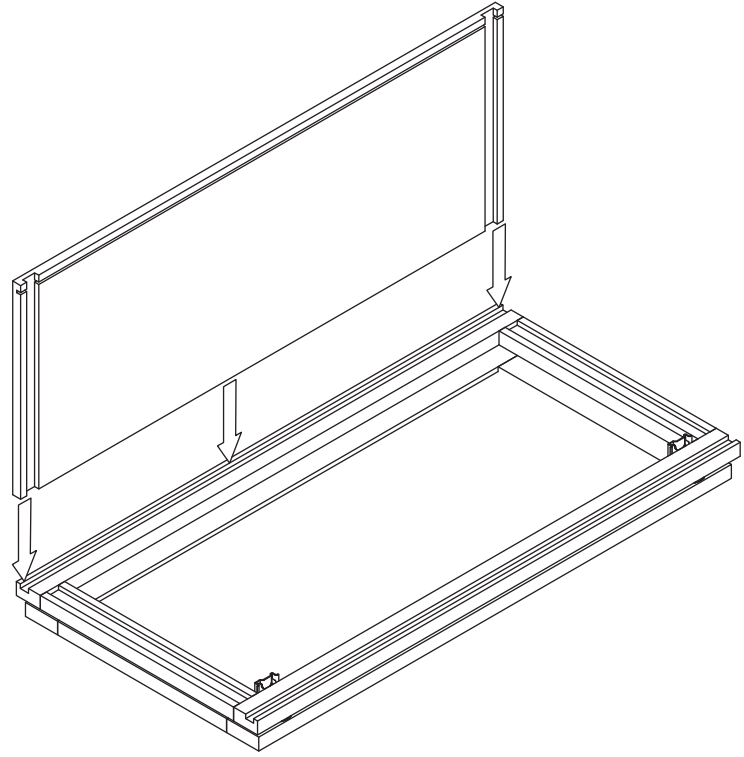


Gloves

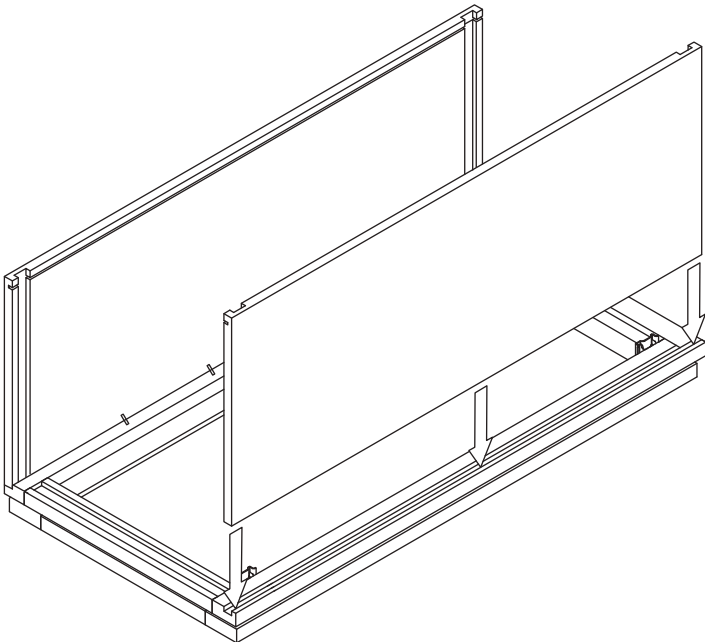
**Step 1:**



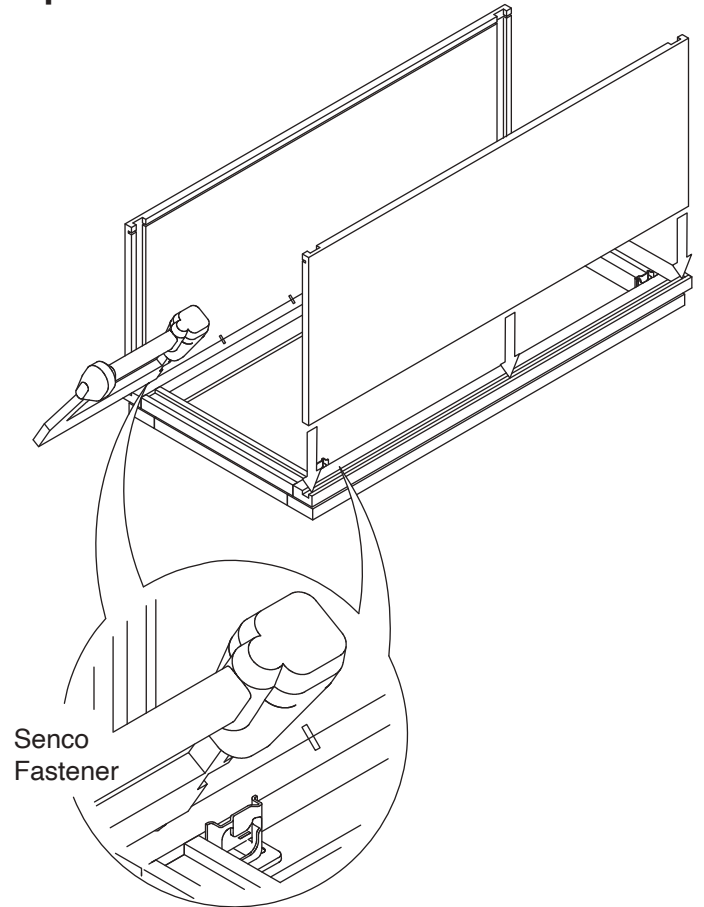
**Step 2:**



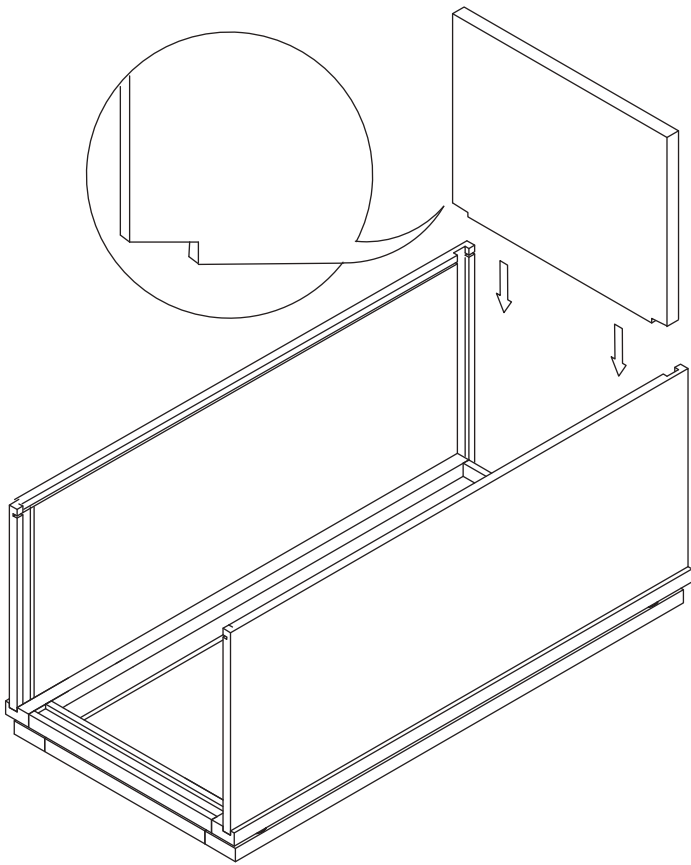
**Step 3:**



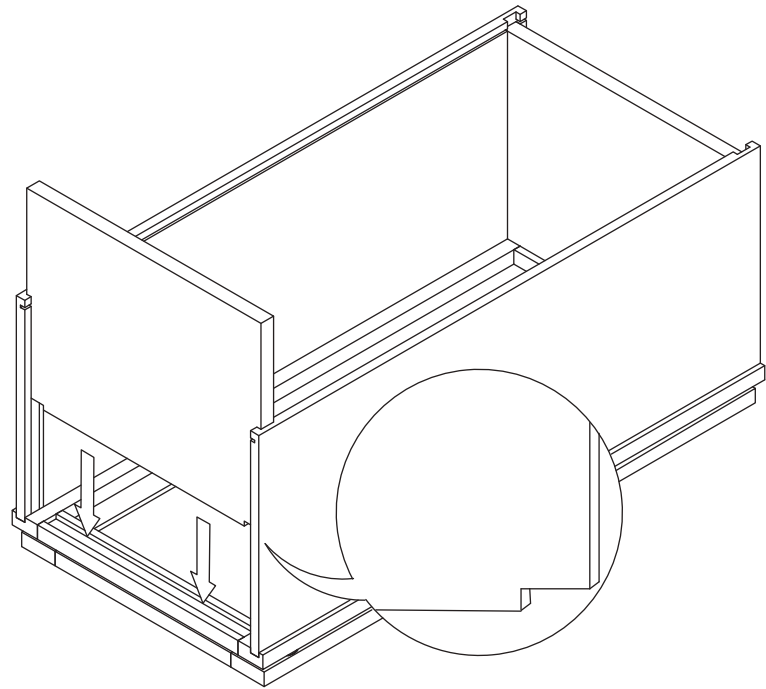
**Step 4:**



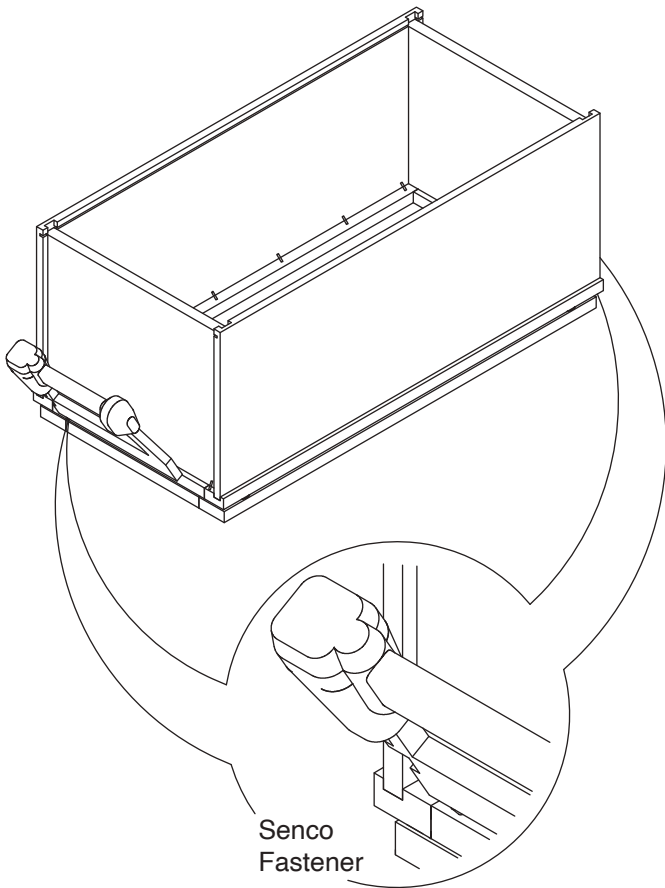
**Step 5:**



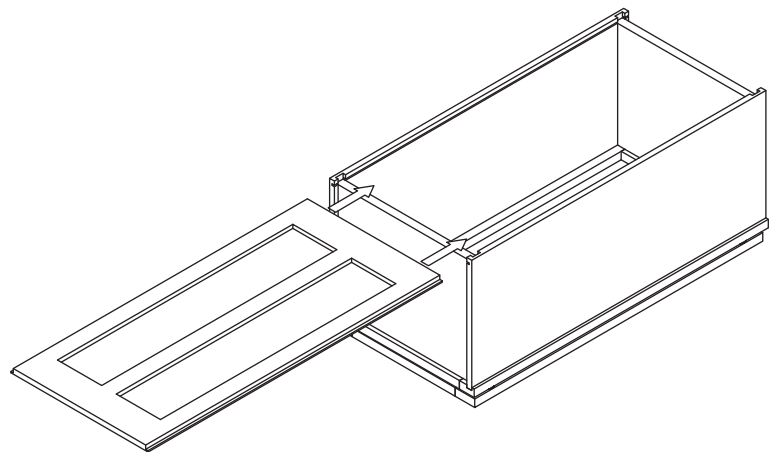
**Step 6:**



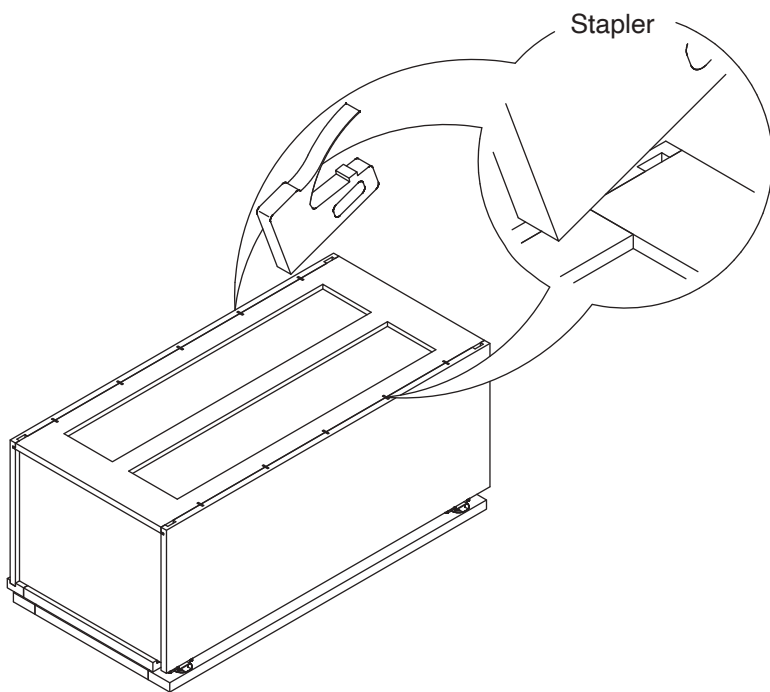
**Step 7:**



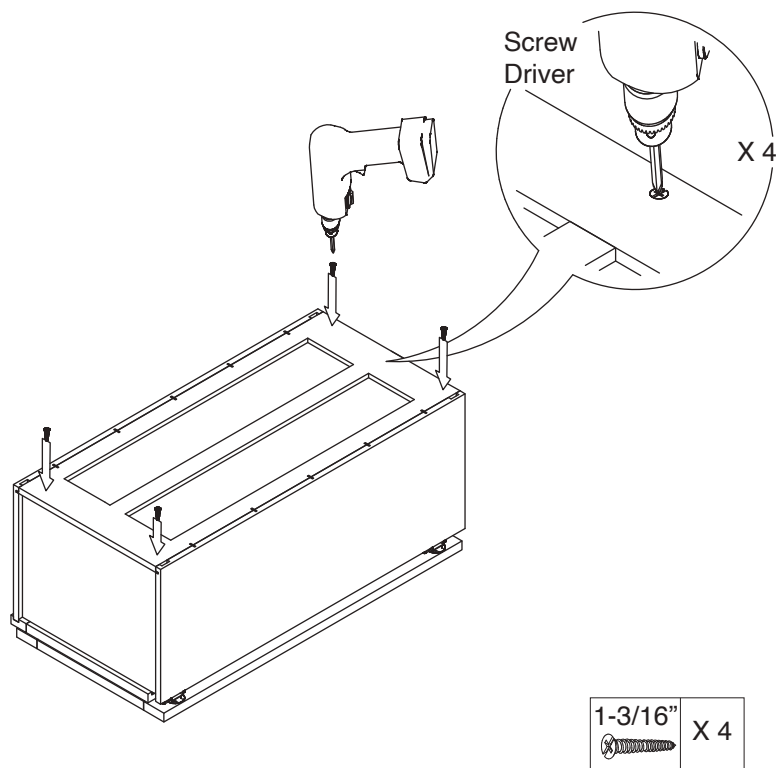
**Step 8:**



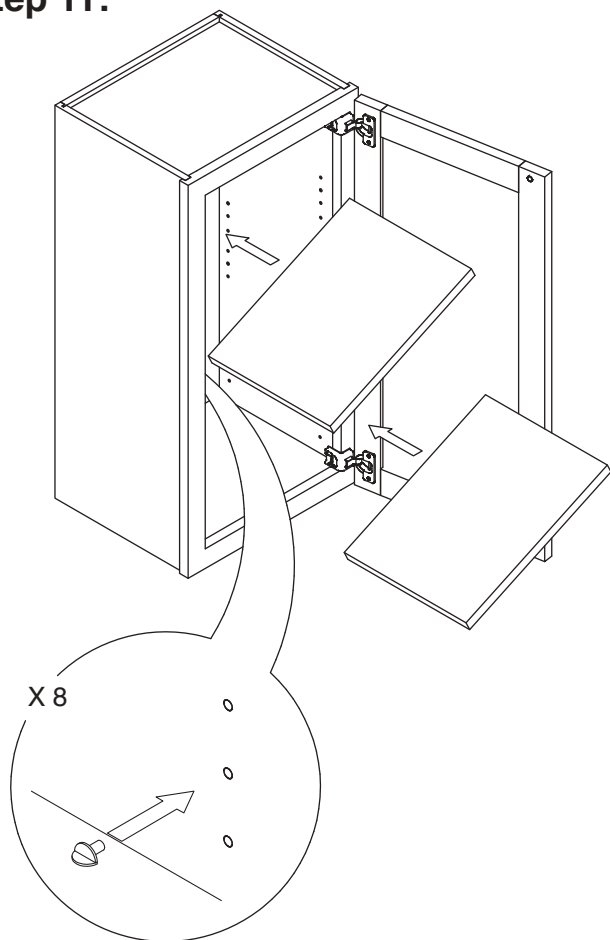
### Step 9:



### Step 10:



### Step 11:



### Step 12:

