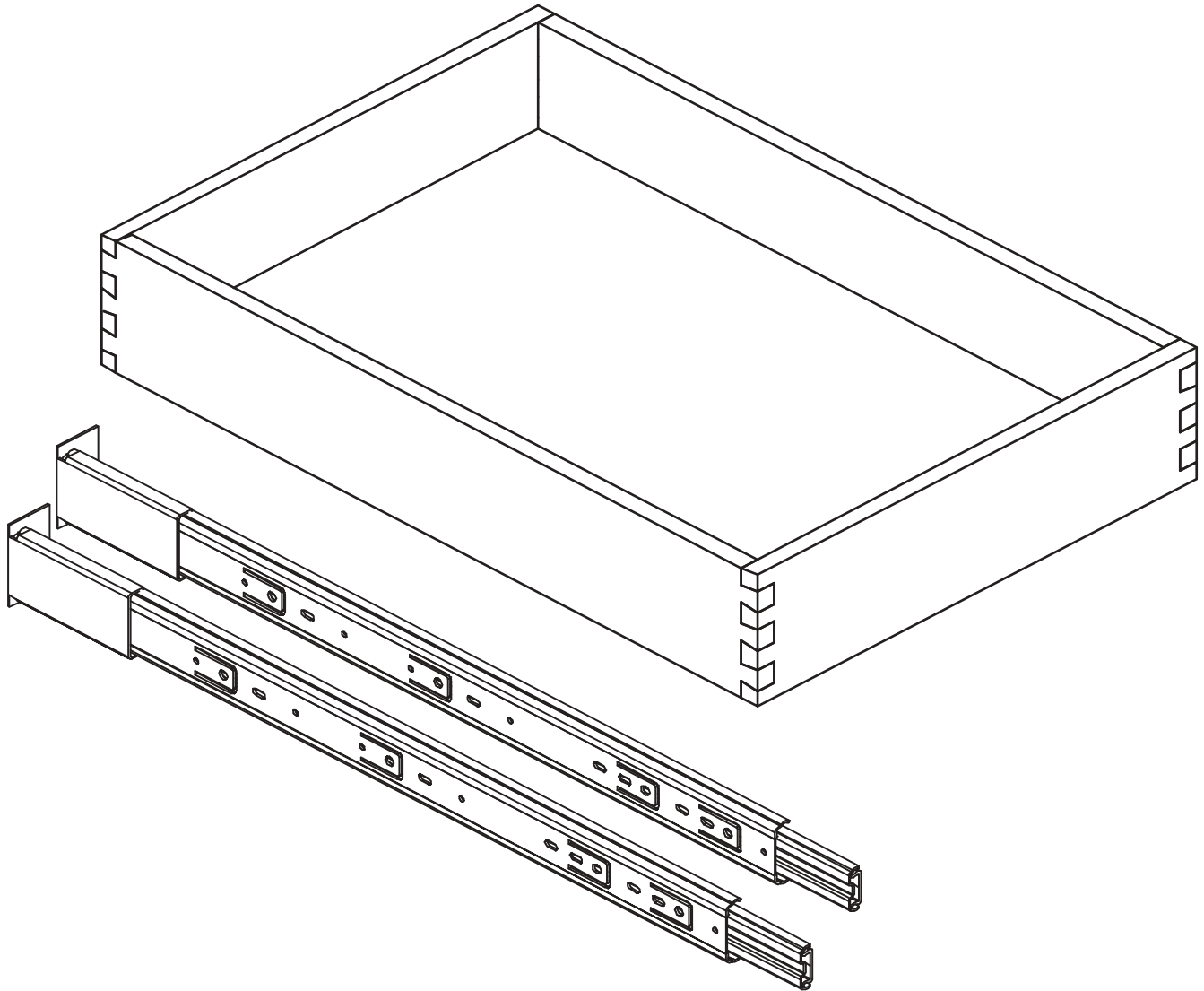


# Assembly Instruction

2020 Edition

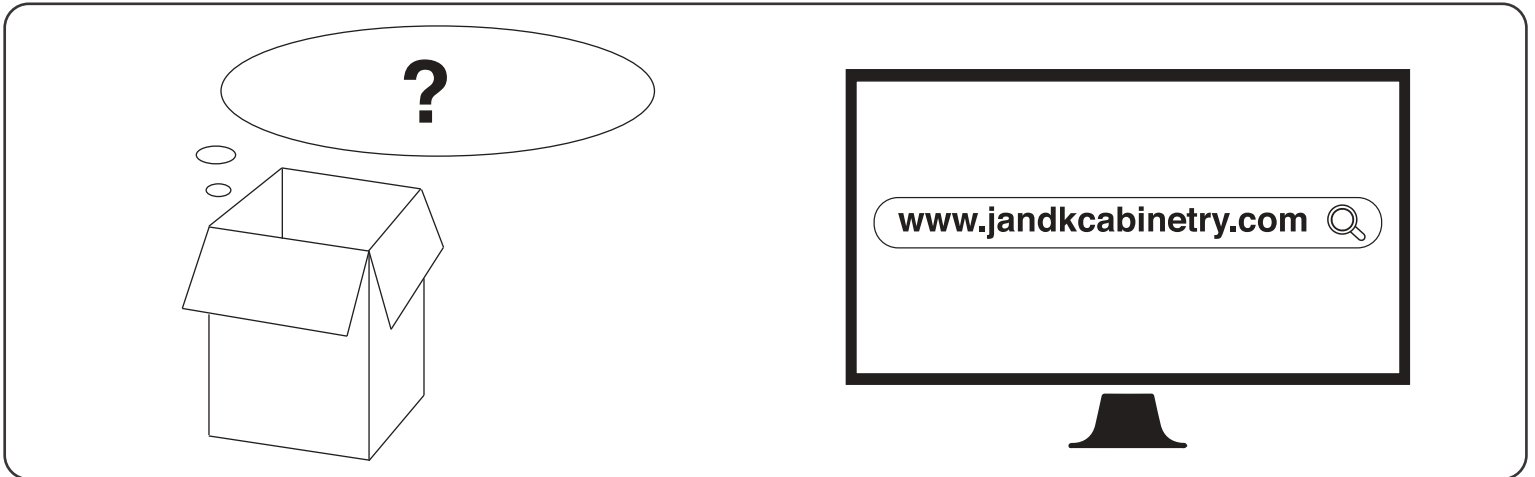
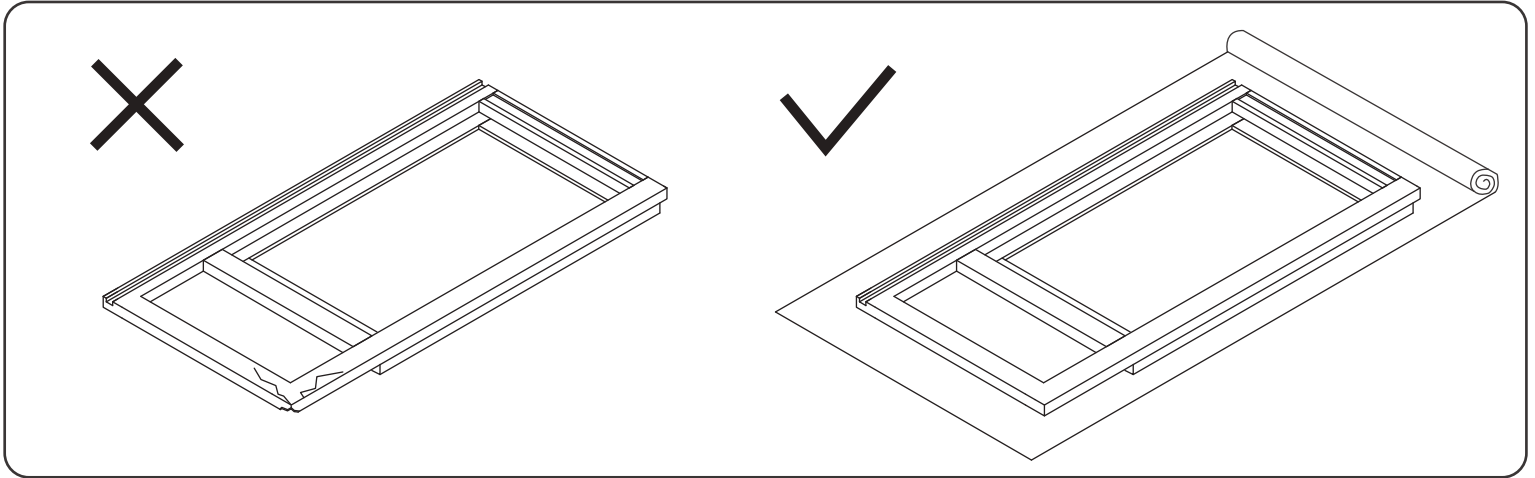


## Roll Out Tray

Item Code:

RD12, RD15, RD18, RD21, RD24

RD27, RD30, RD33, RD36



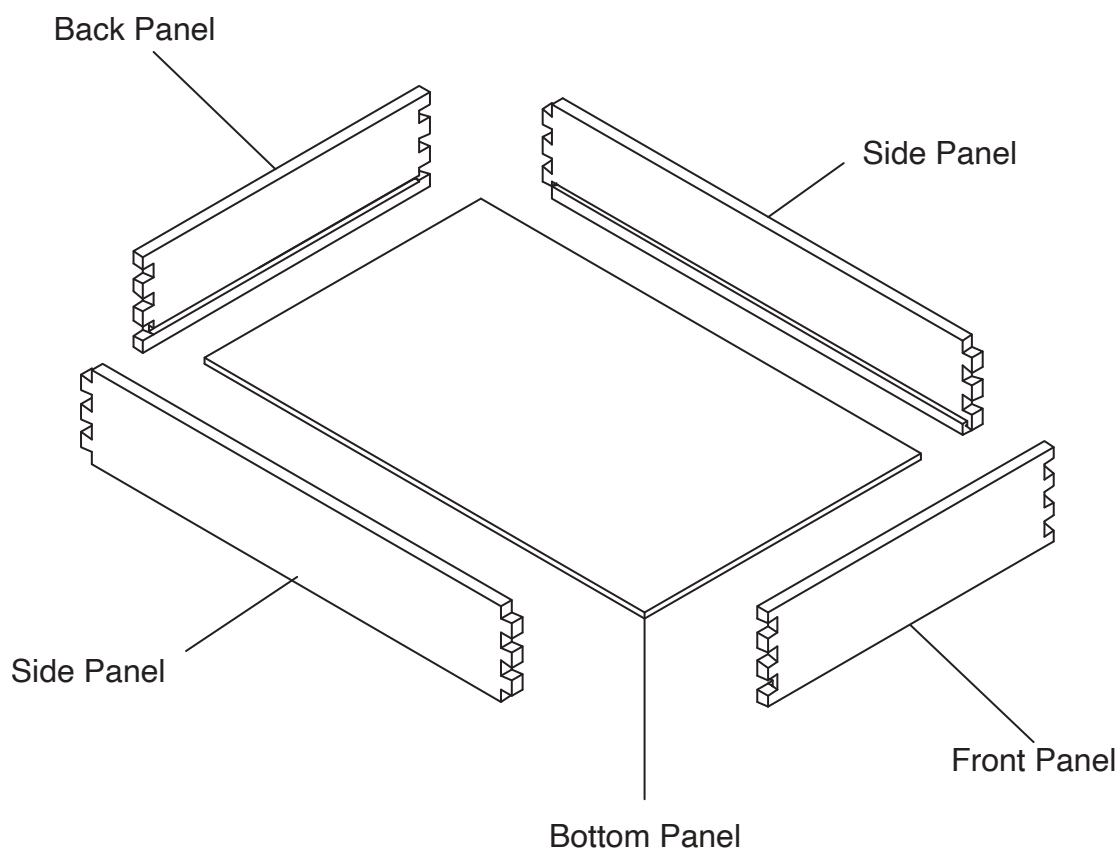
**! WARNING:**

1. Please be careful when opening the box with boxcutter and/or blade.
2. J&K Cabinetry is not responsible for any injuries and/or damages incurred during cabinet assembly.

**? SERVICE:**

During the installation process, if you encounter any problems, please go to our official website: [www.jandkcabinetry.com](http://www.jandkcabinetry.com), check the full version assembly instruction or watch the assembly video online.

## Included Items:



	<p>1/2"</p>
<p>Side Mount Drawer Glide Kit X 1</p>	<p>Screws X 16</p>

## Recommended Tools:



Wood Glue



Screw Driver



Nail Gun



Rubber Mallet

## Safety Tools:

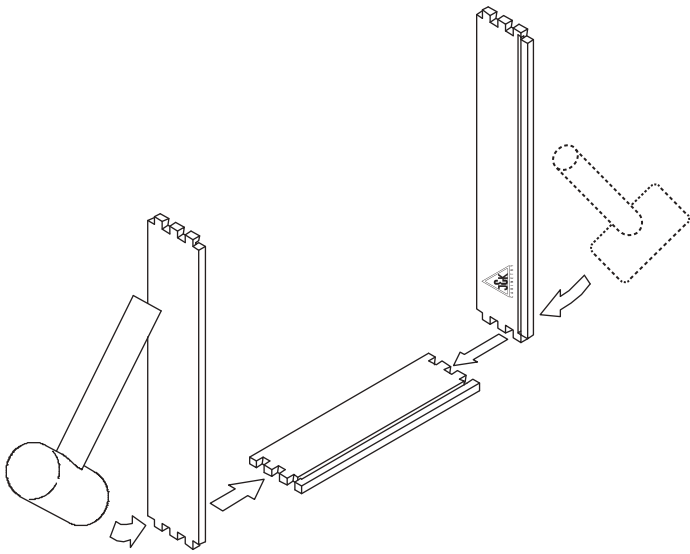


Eye Wear

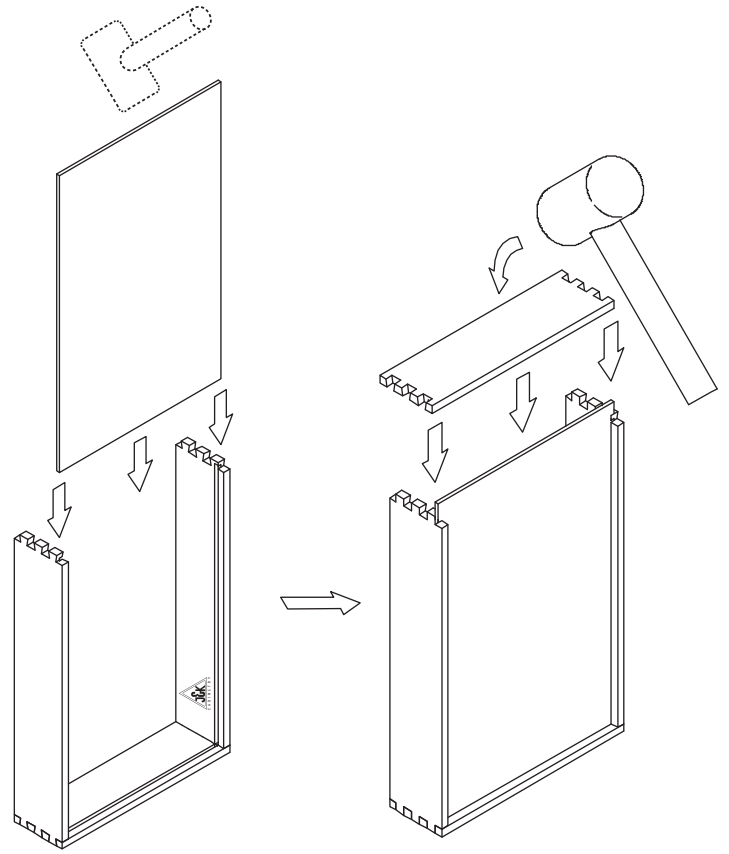


Gloves

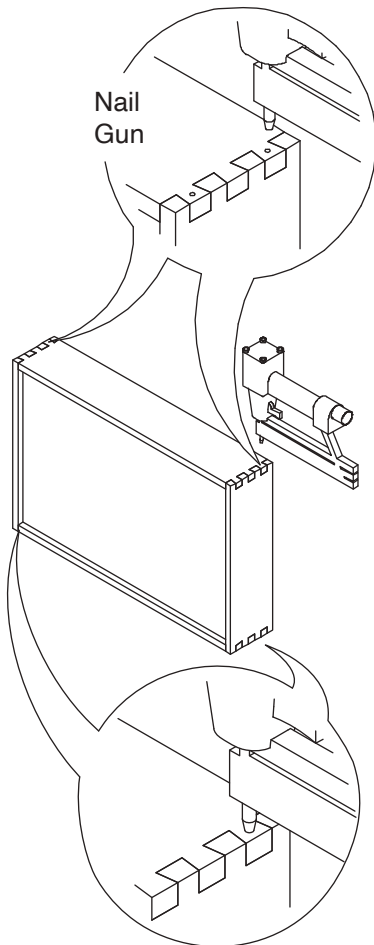
### Step 1:



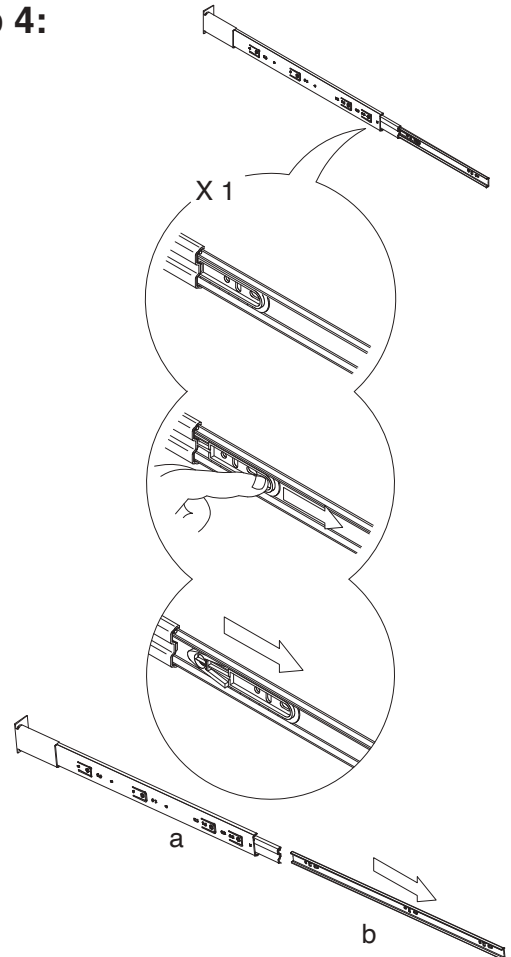
### Step 2:



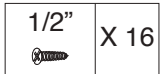
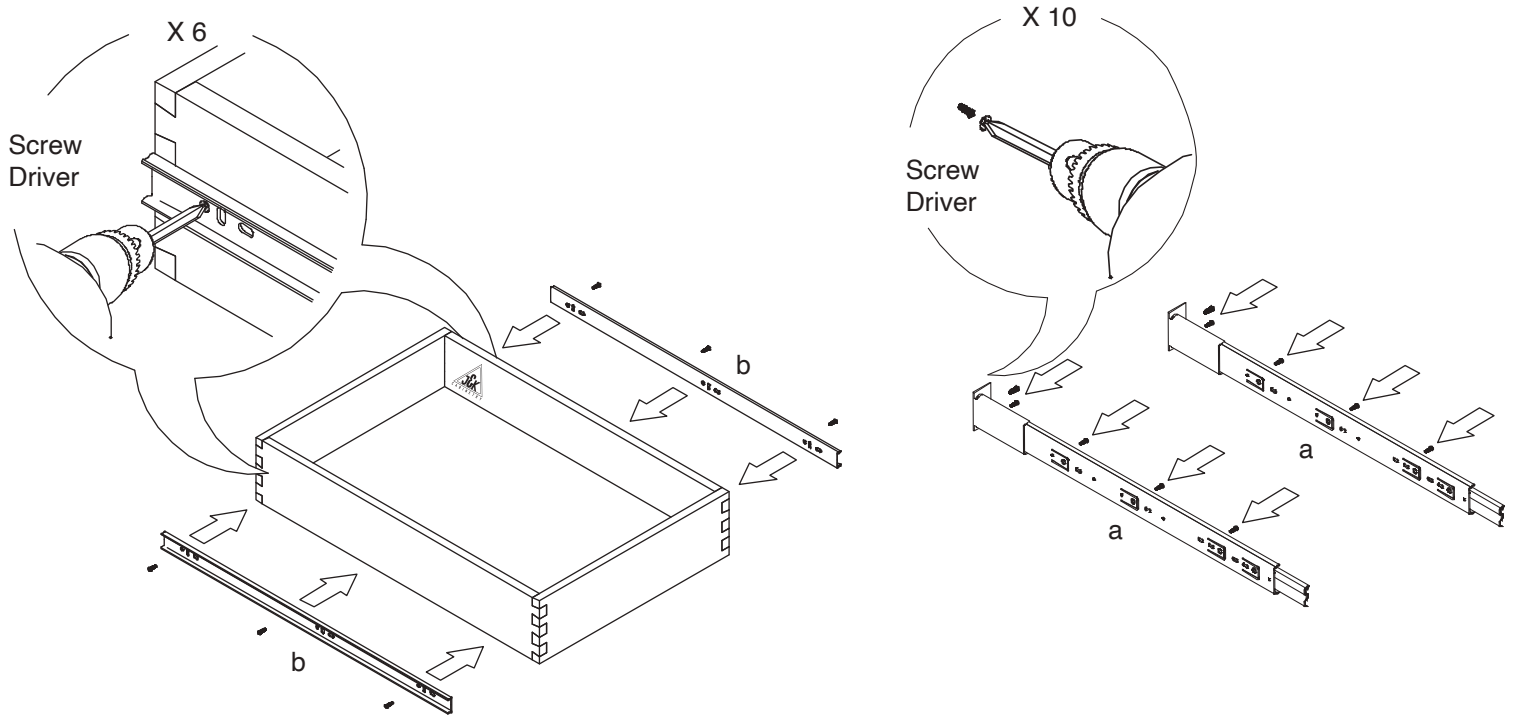
### Step 3:



### Step 4:



## Step 5:



## Step 6:

