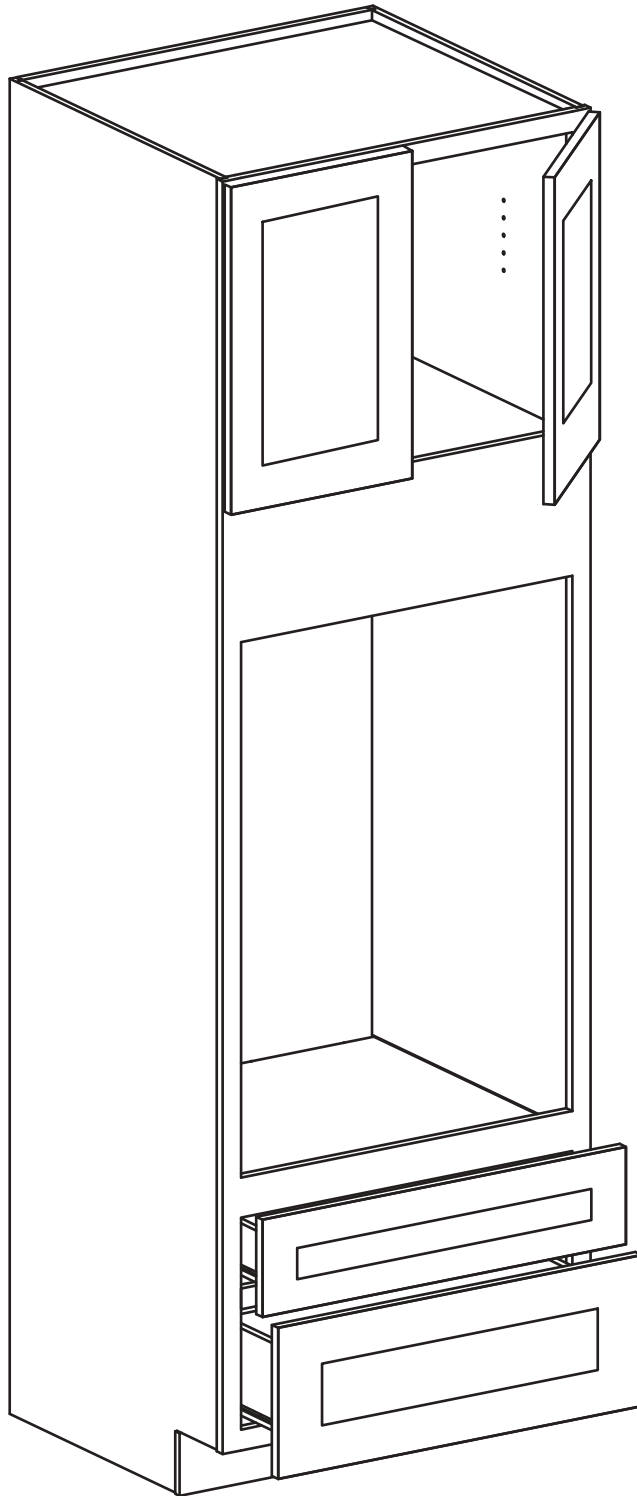


Assembly Instruction

2020 Edition

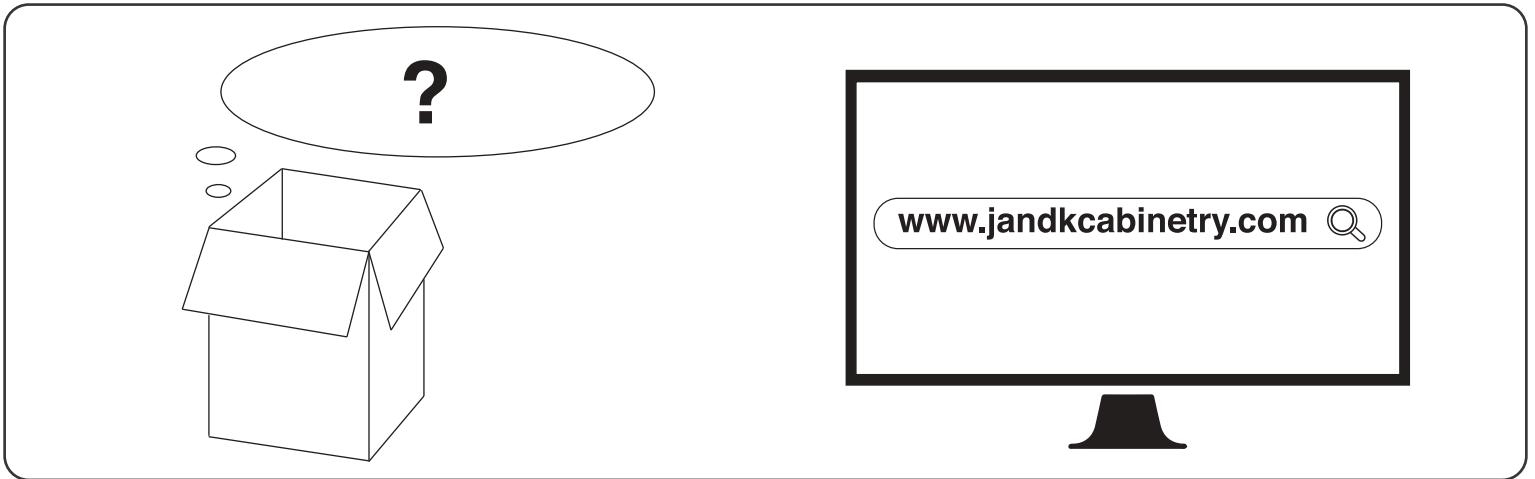
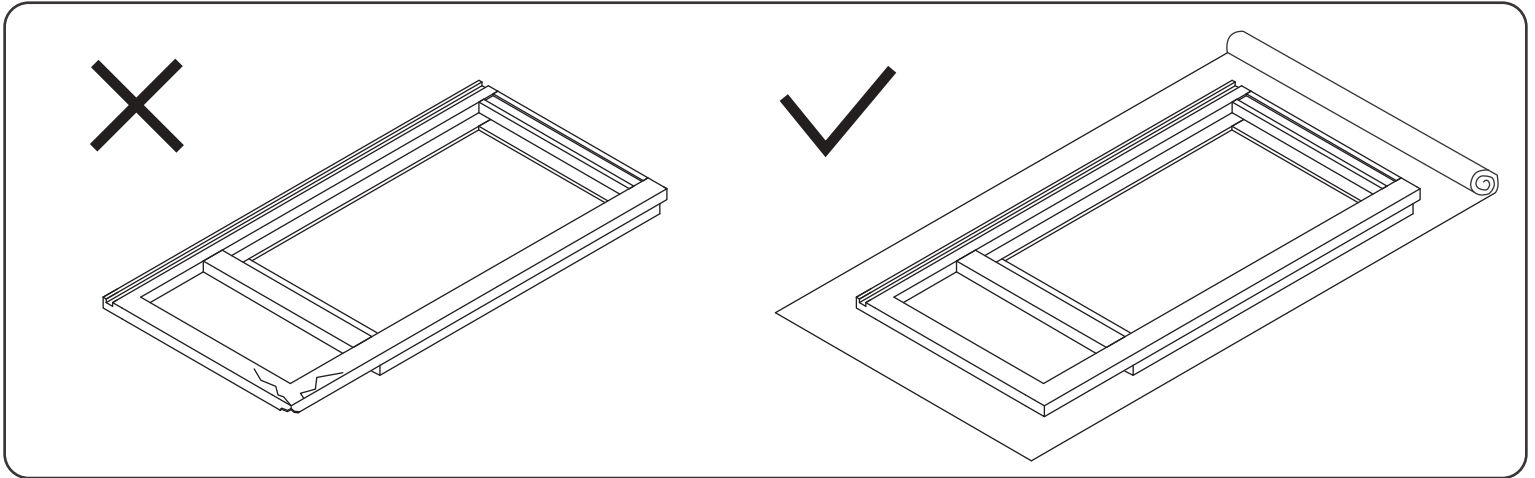


Tall Oven Cabinet

Item Code:

OC308427, OC338427, OC309027

OC339027, OC309627, OC339627



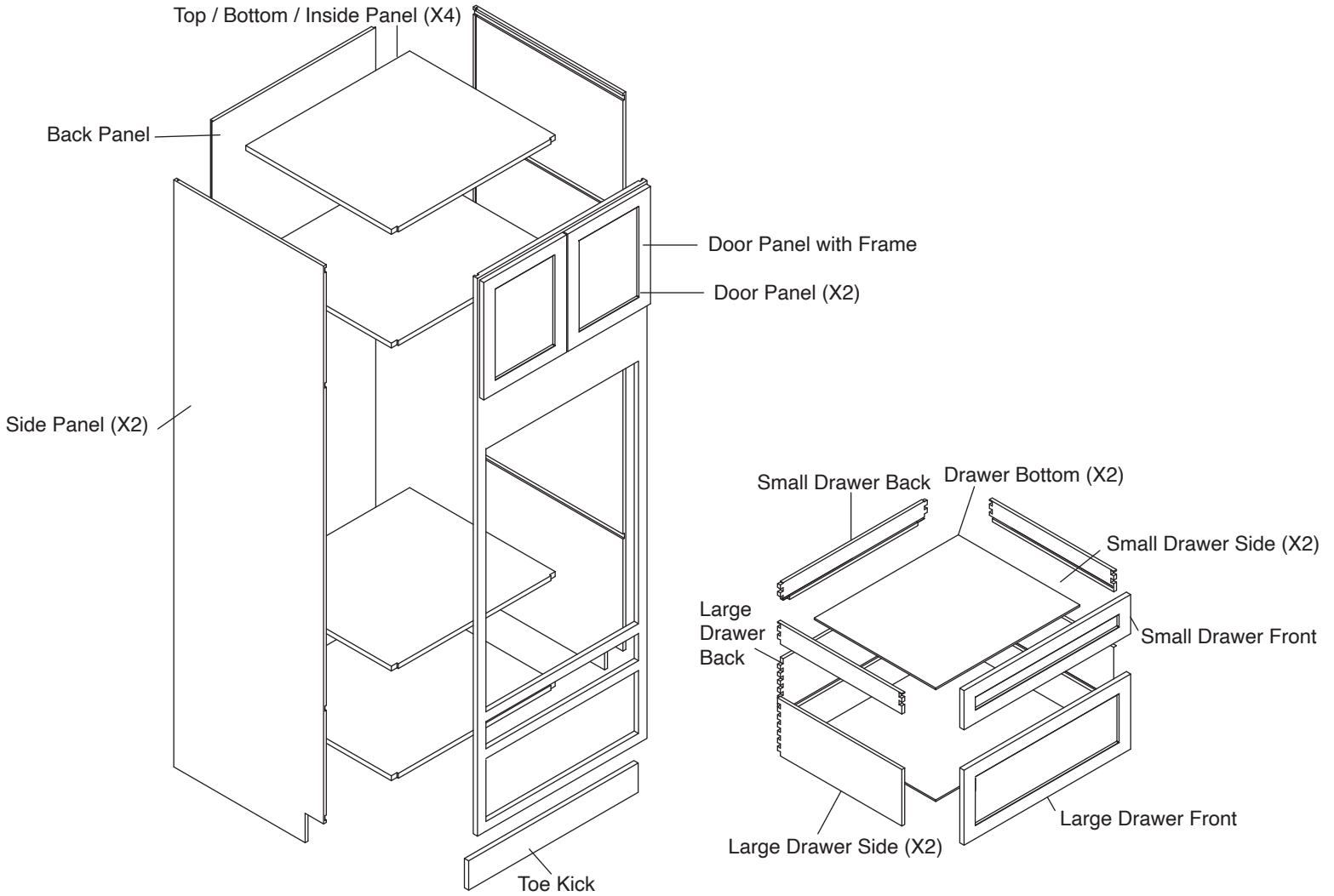
! WARNING:

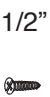


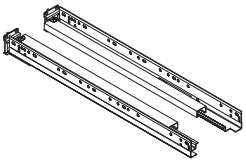
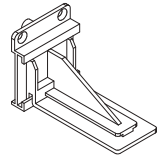
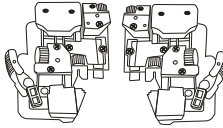
1. Please be careful when opening the box with boxcutter and/or blade.
2. J&K Cabinetry is not responsible for any injuries and/or damages incurred during cabinet assembly.

? SERVICE:

During the installation process, if you encounter any problems, please go to our official website: www.jandkcabinetry.com, check the full version assembly instruction or watch the assembly video online.

Included Items:



					
Screws X 20	Screws X 16	Door Bumpers X 12	Under Mount Drawer Glide Kits X 2	Glide Supports X 4	Glide Locking Kits X 2

Recommended Tools:



Wood Glue



Screw Driver



Rubber Mallet



Compressor



Nail Gun



Stapler



Senco Fastener

Safety Tools:

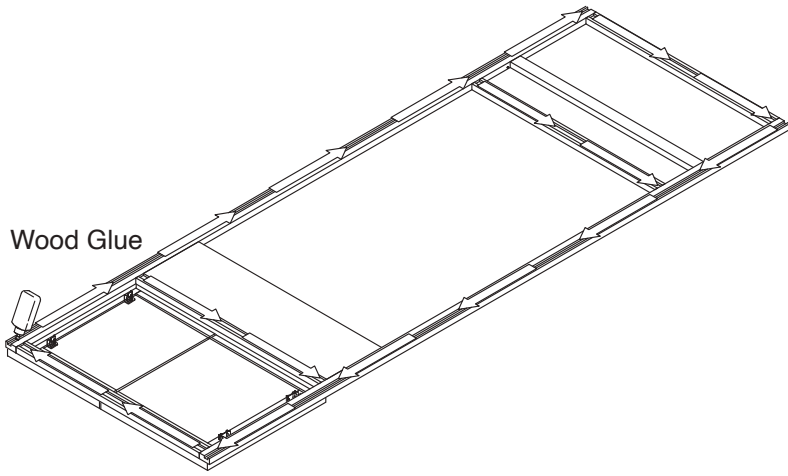


Eye Wear

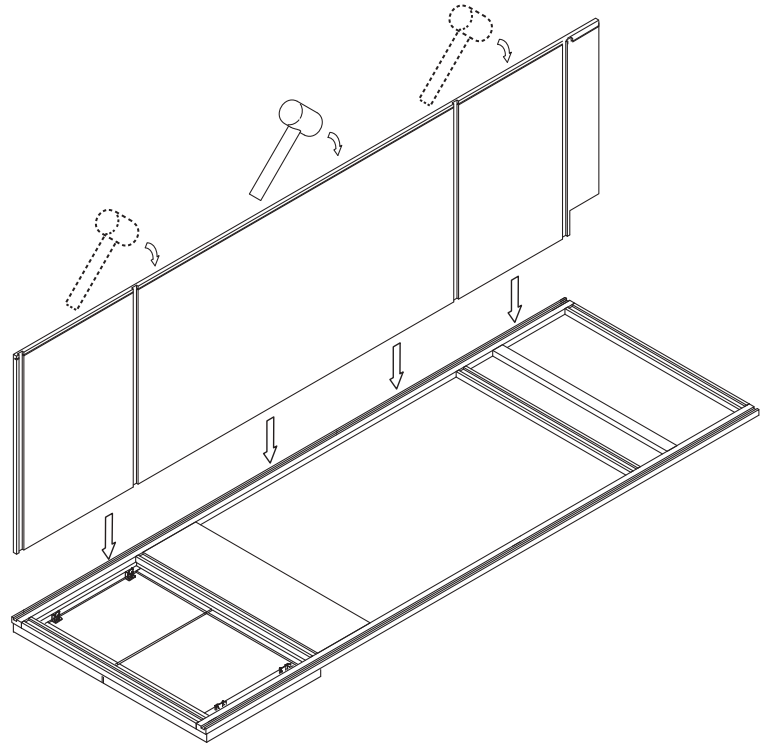


Gloves

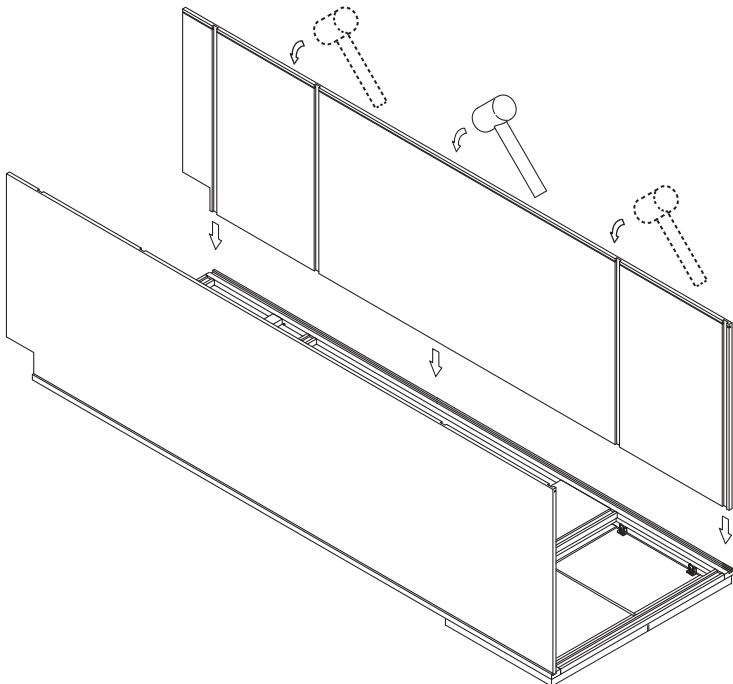
Step 1:



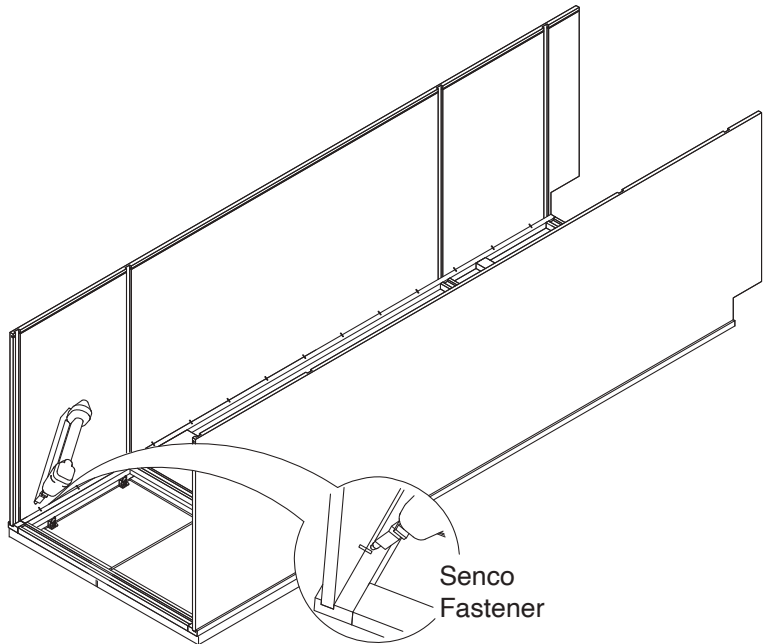
Step 2:



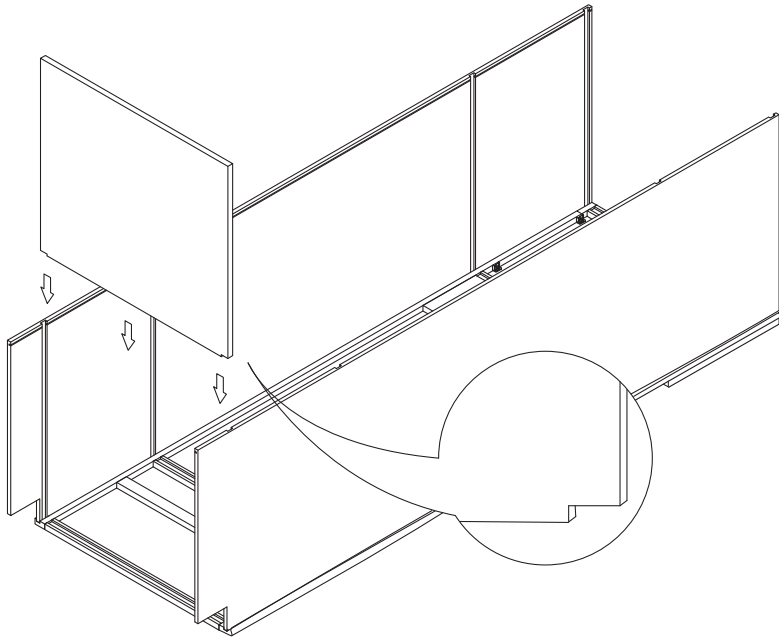
Step 3:



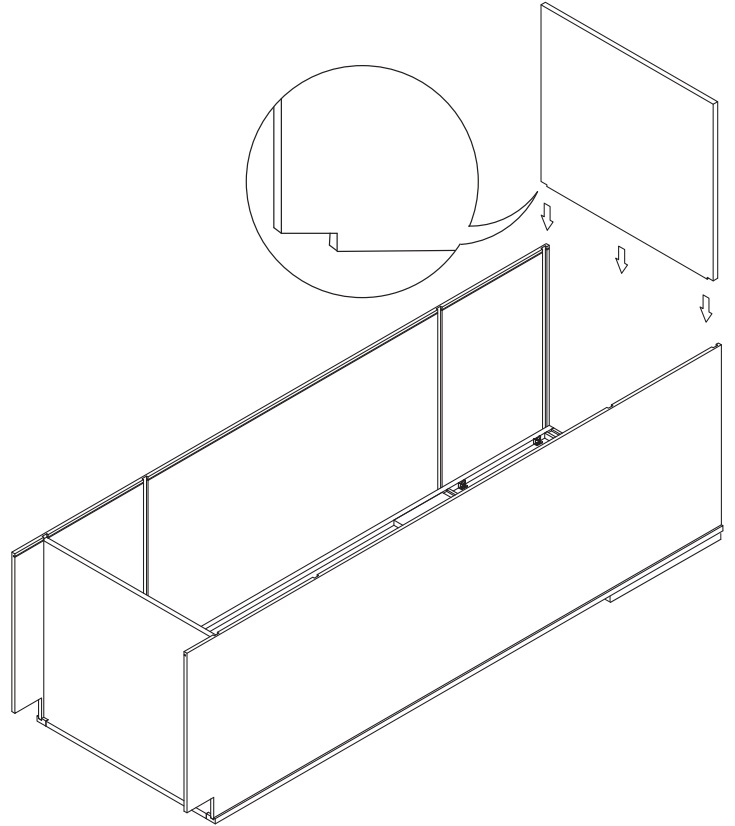
Step 4:



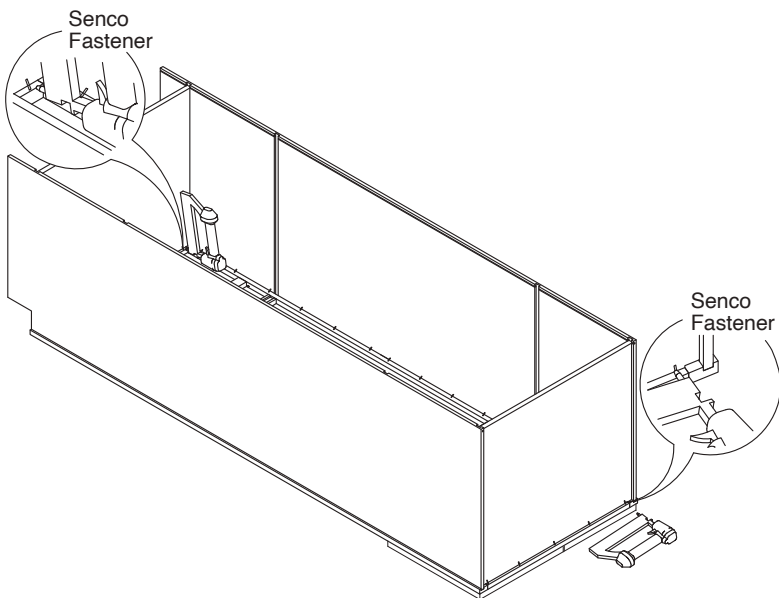
Step 5:



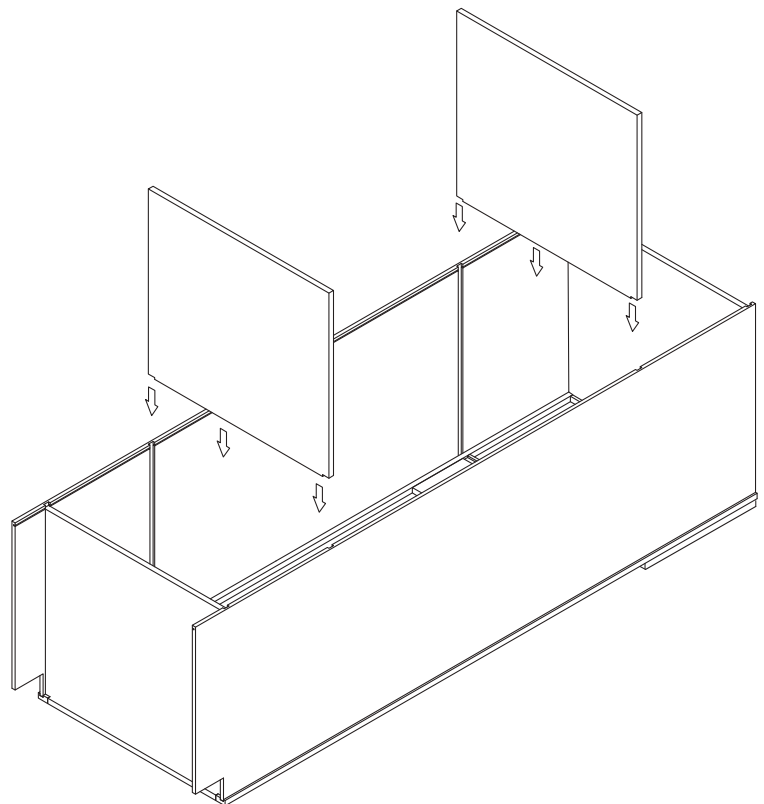
Step 6:



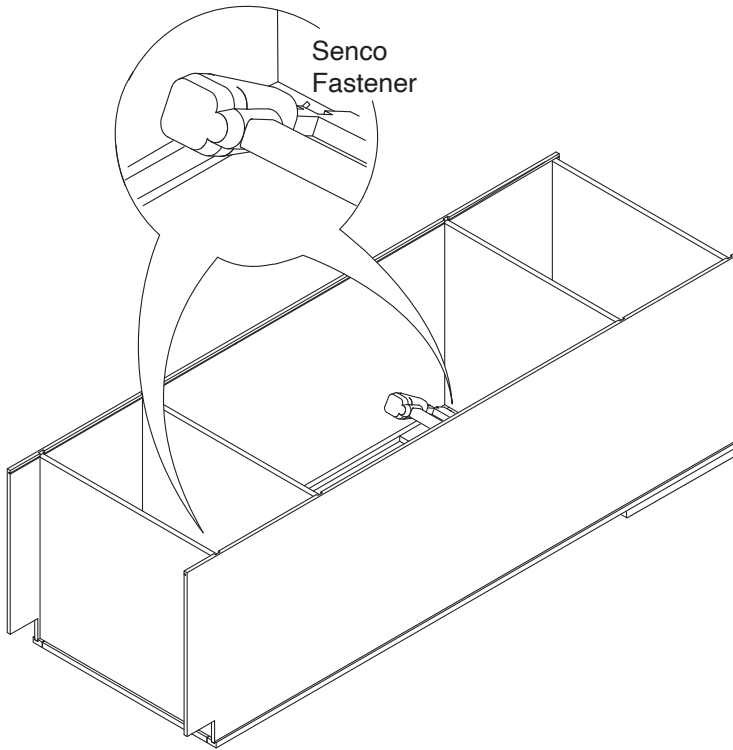
Step 7:



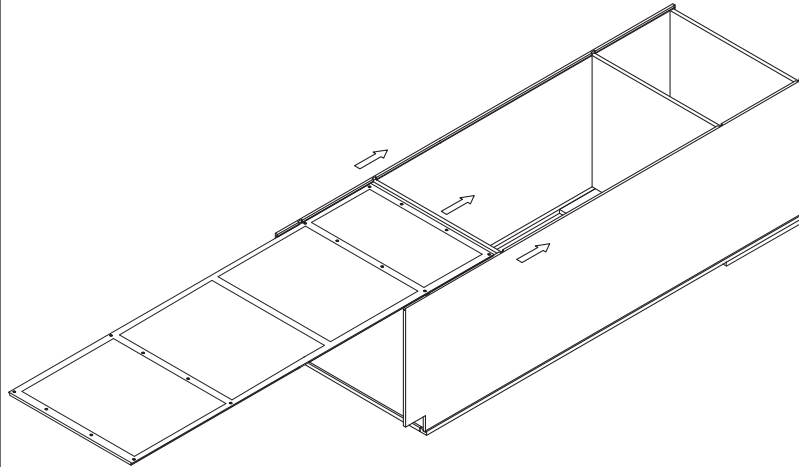
Step 8:



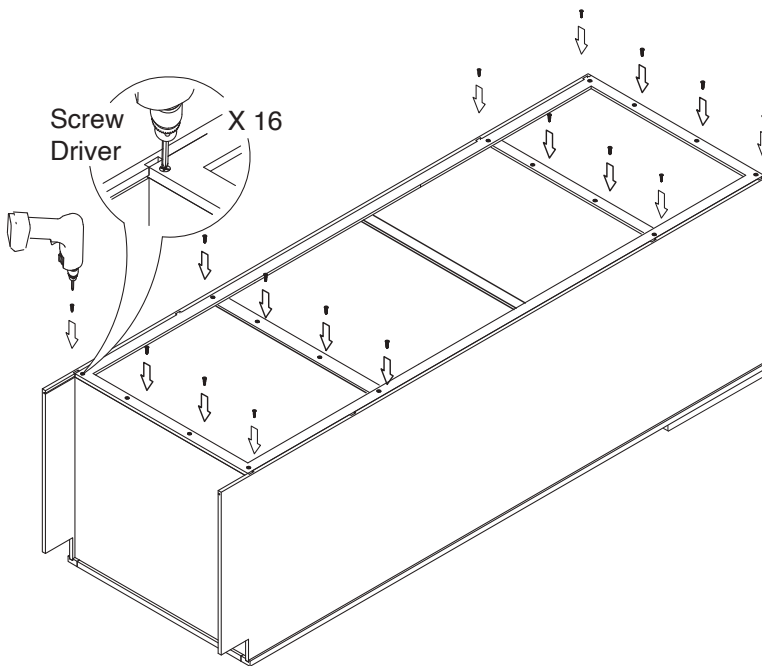
Step 9:



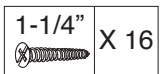
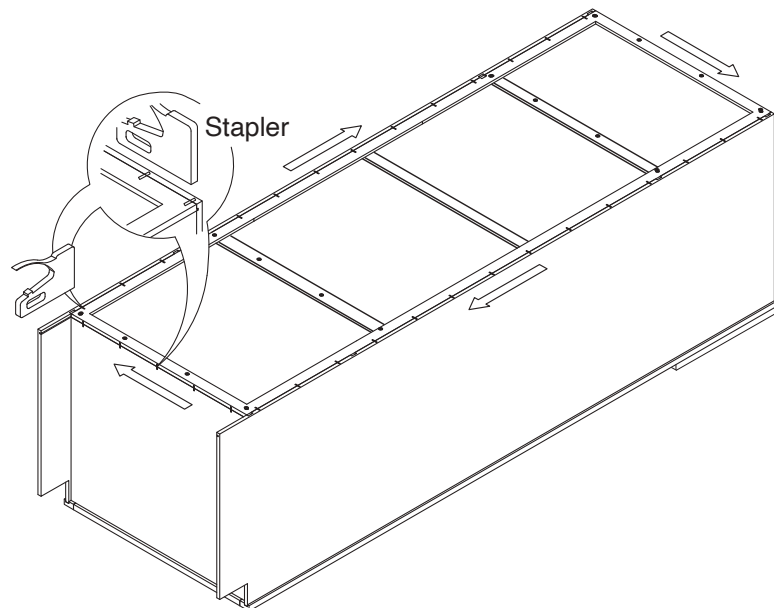
Step 10:



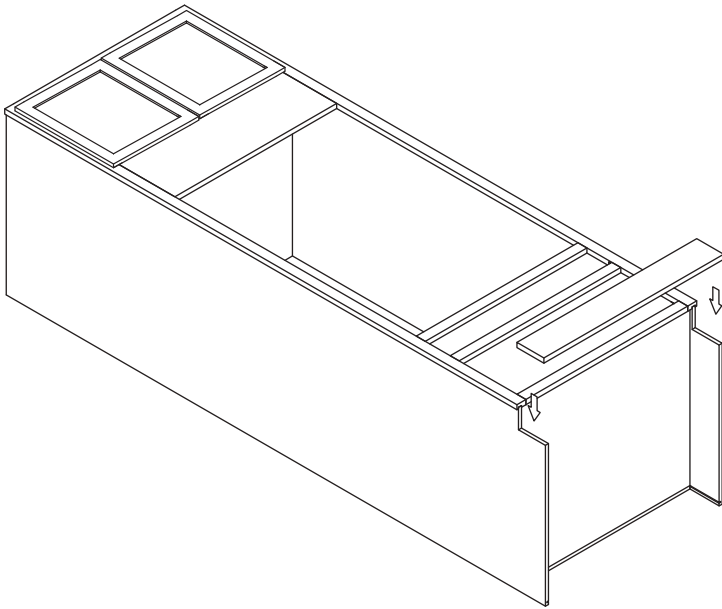
Step 11:



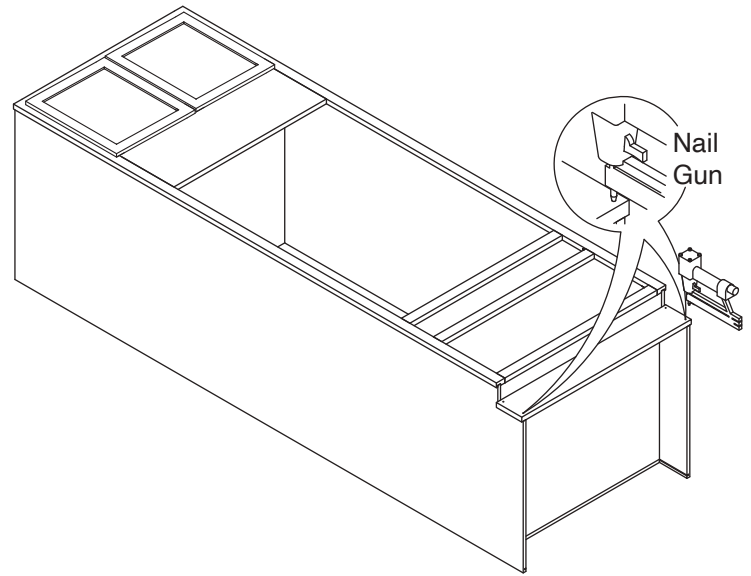
Step 12:



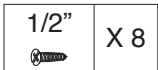
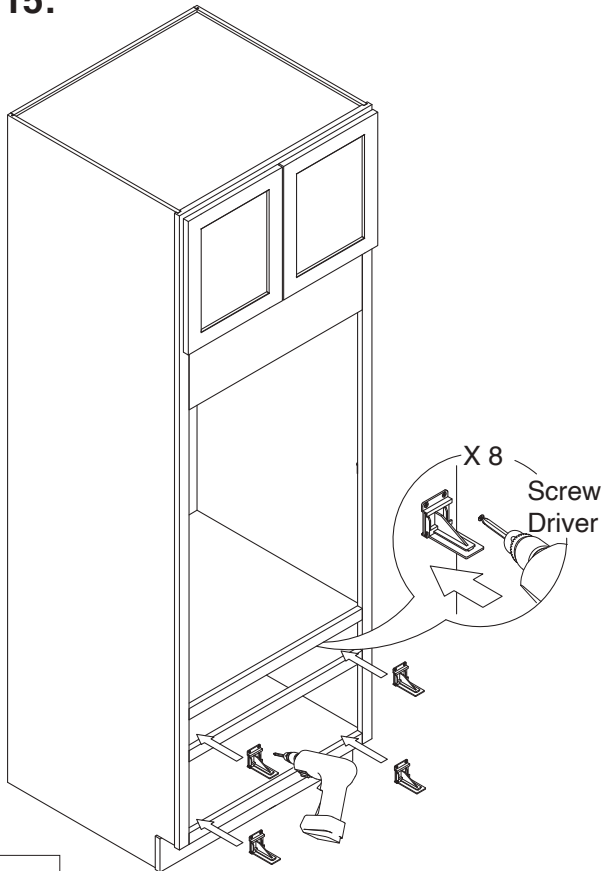
Step 13:



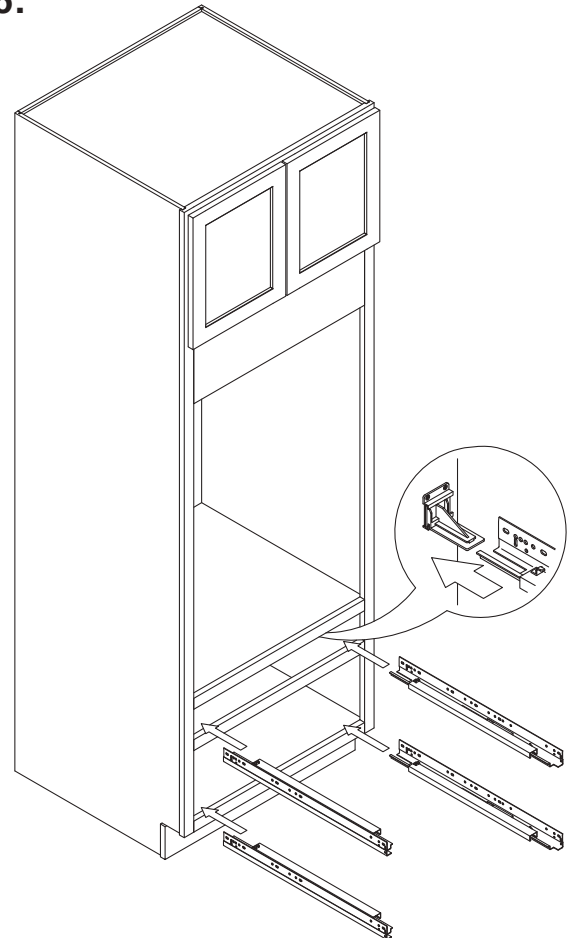
Step 14:



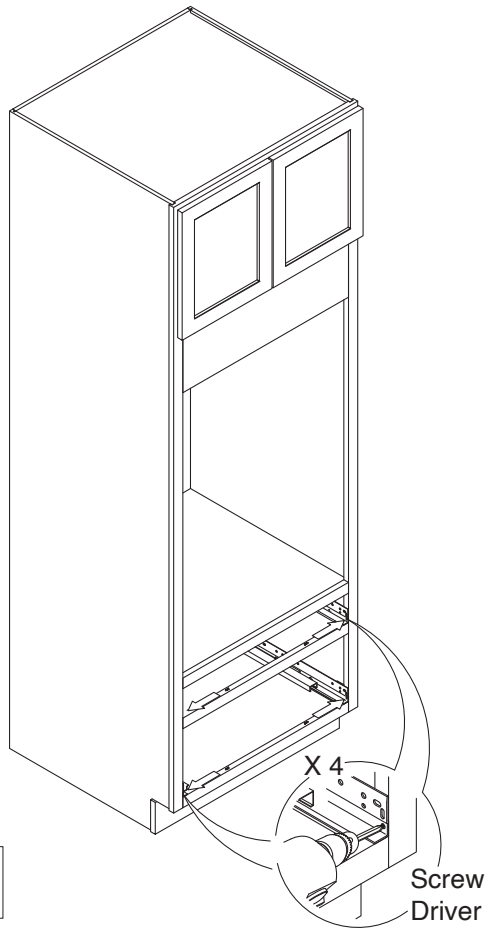
Step 15:



Step 16:

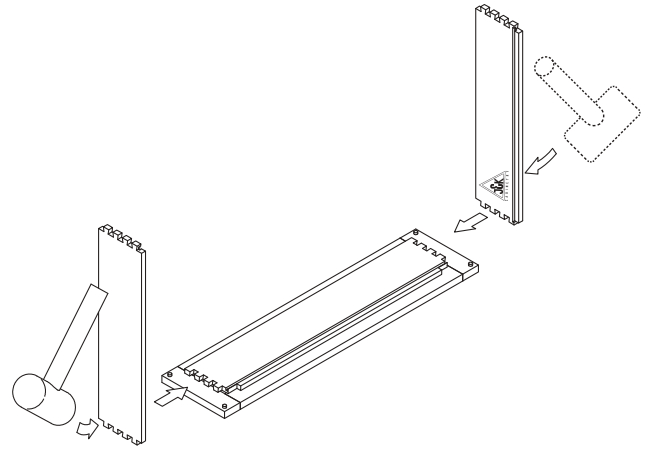


Step 17:

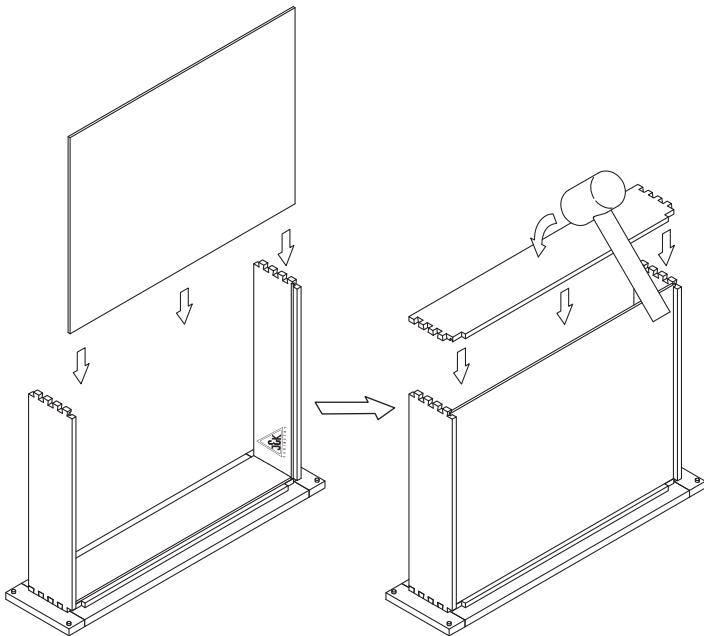


1/2" X 4

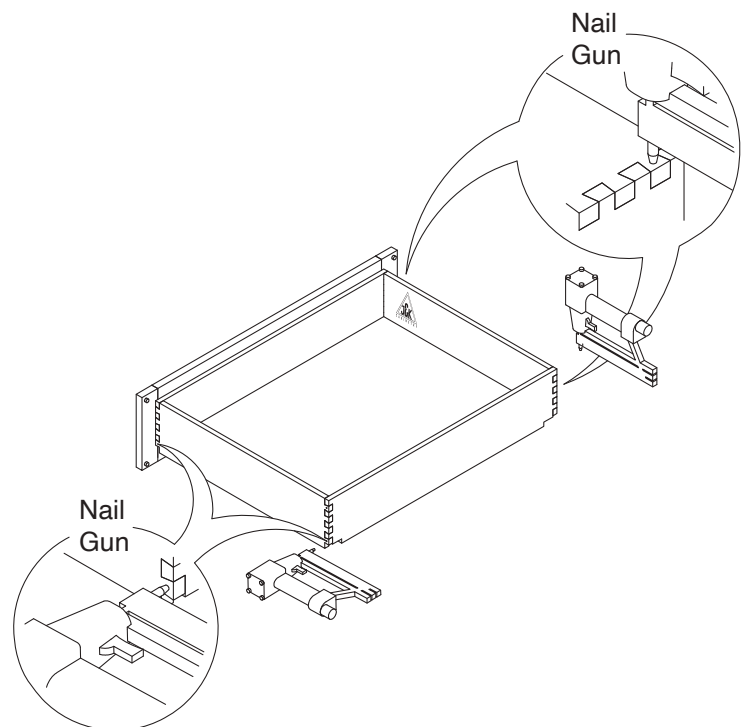
Step 18:



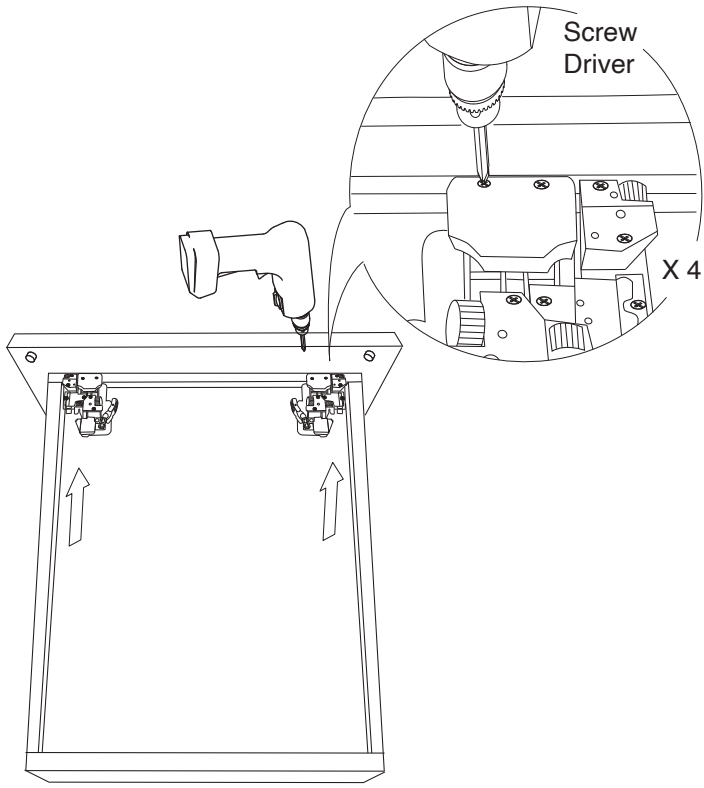
Step 19:



Step 20:



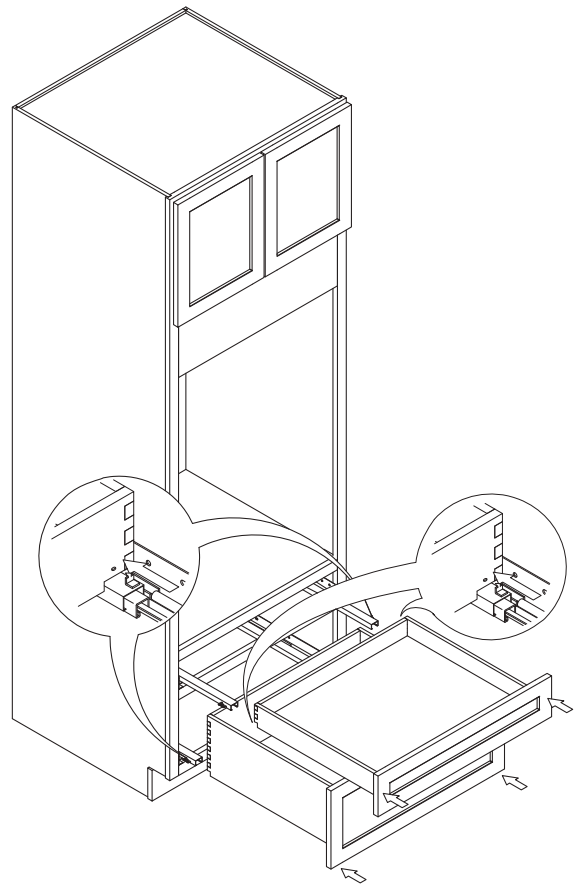
Step 21:



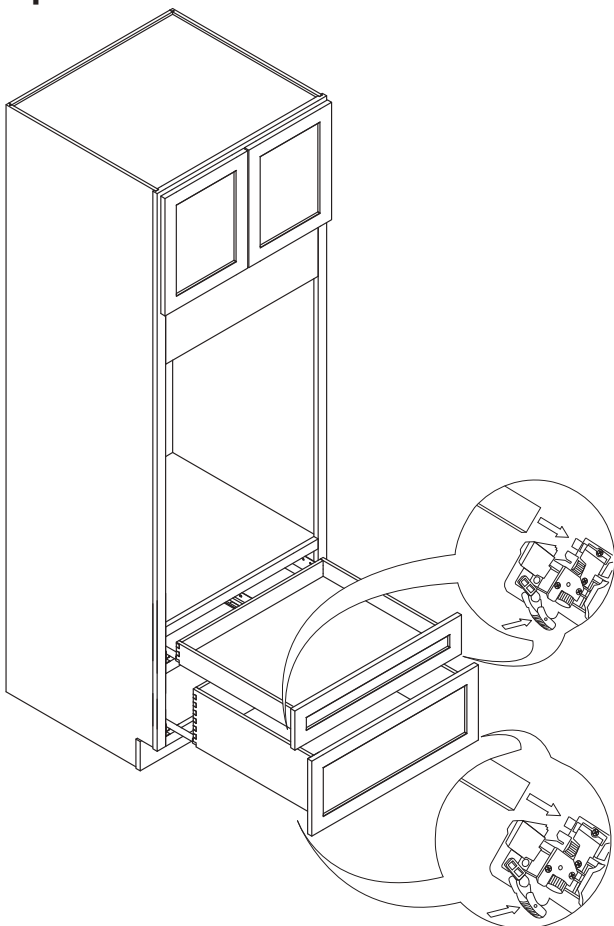
1/2" X 8

* repeat for other drawer

Step 22:



Step 23:



Step 24:

