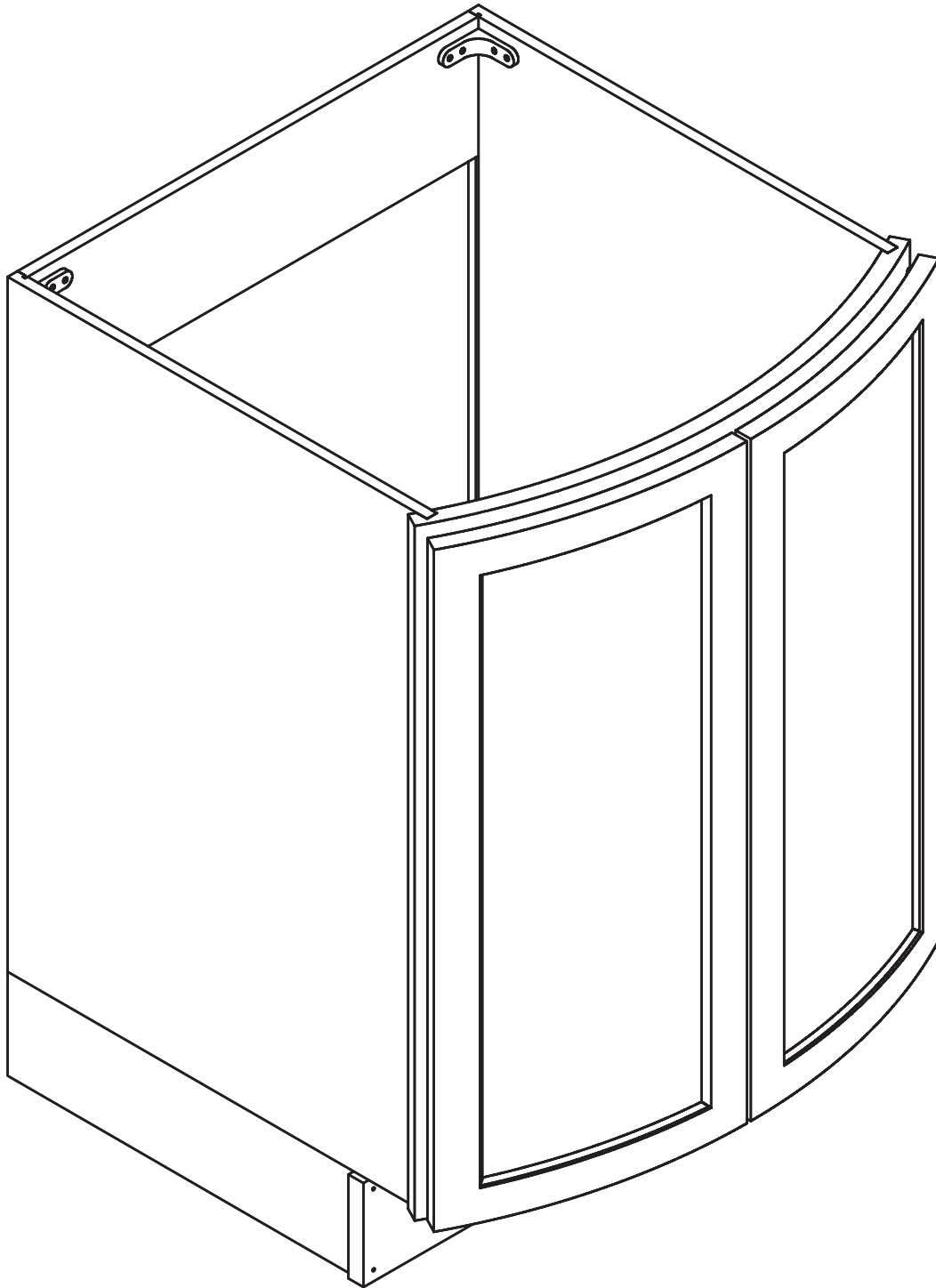


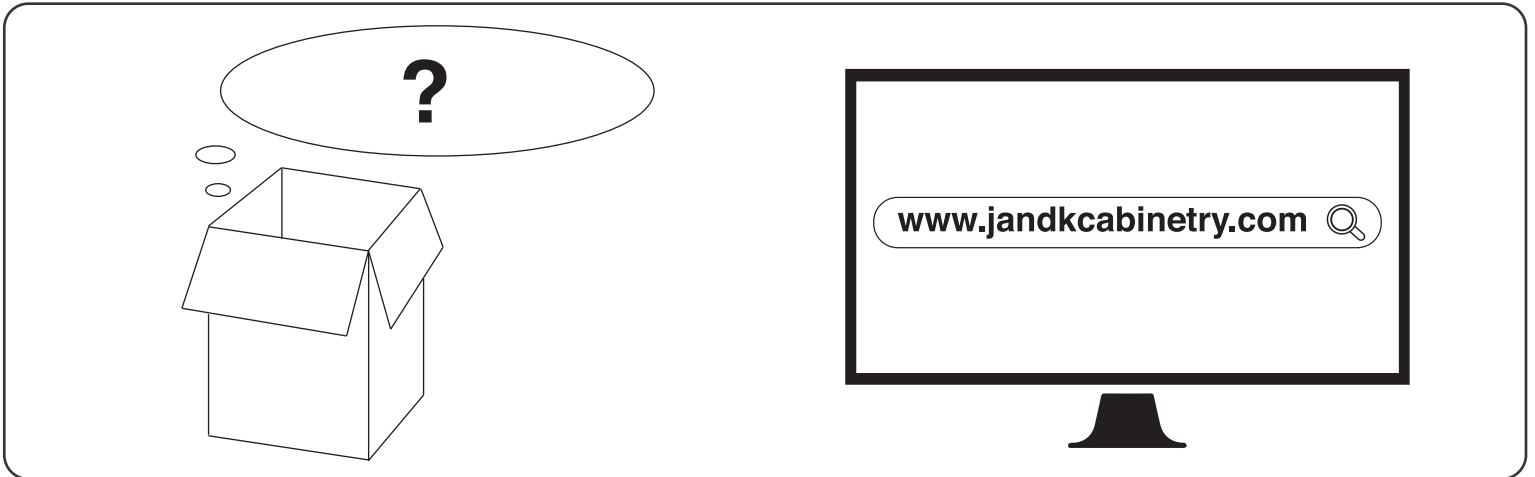
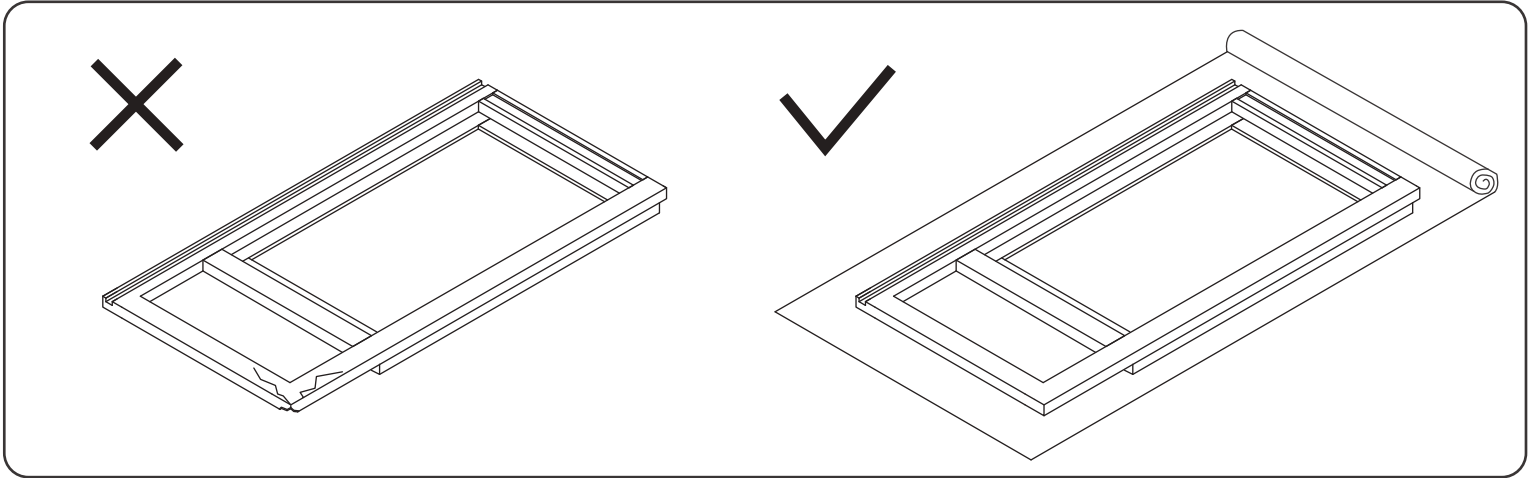
Assembly Instruction

2020 Edition



Vanity Sink Cabinet Curved Door

Item Code:
FSVA24



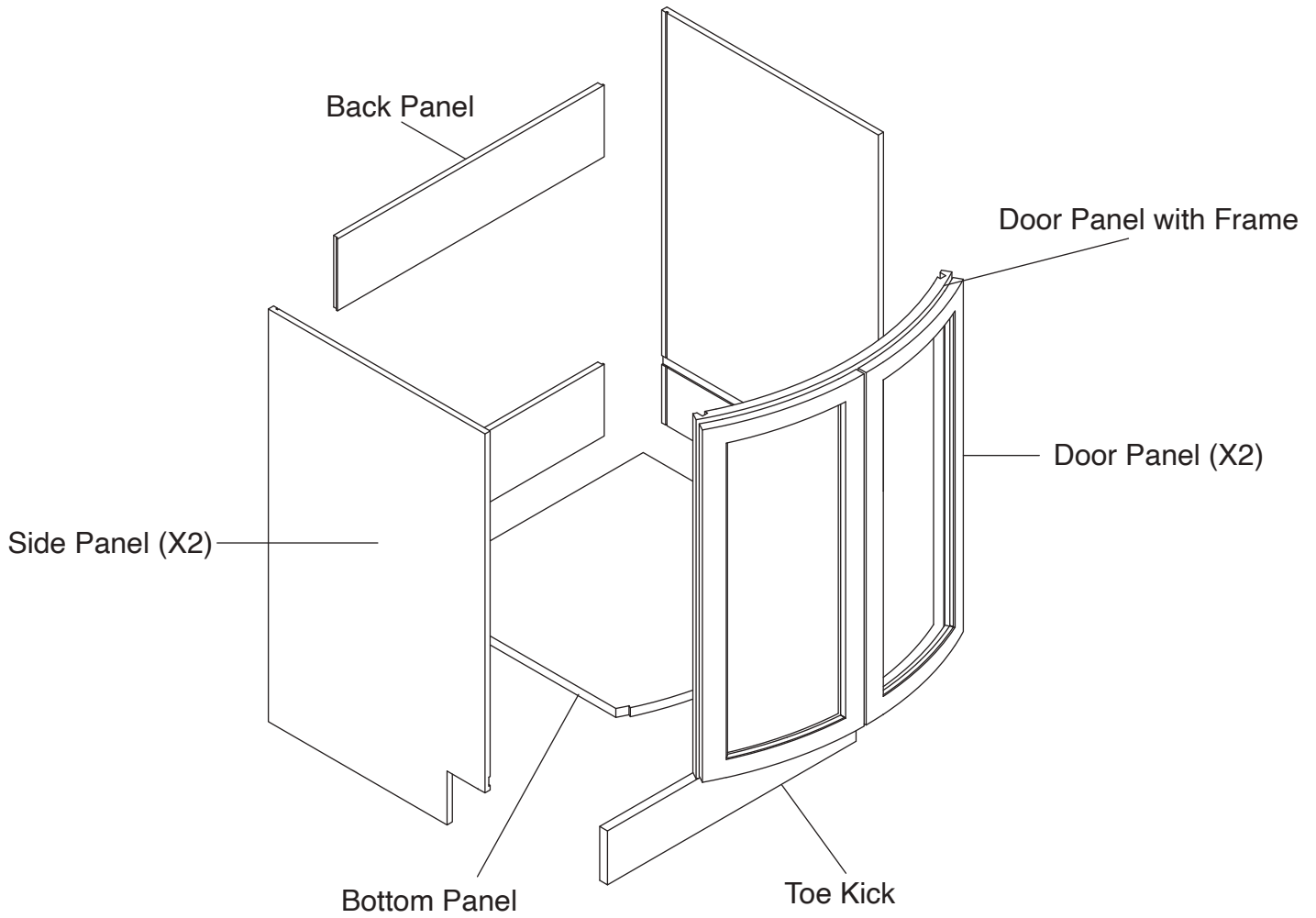
! WARNING:

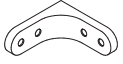



1. Please be careful when opening the box with boxcutter and/or blade.
2. J&K Cabinetry is not responsible for any injuries and/or damages incurred during cabinet assembly.

? SERVICE:

During the installation process, if you encounter any problems, please go to our official website: www.jandkcabinetry.com, check the full version assembly instruction or watch the assembly video online.

Included Items:



	19/32" 	1-3/16" 	
90° Brackets X 2	Screws X 8	Screws X 3	Door Bumpers X 4

Recommended Tools:



Wood Glue



Screw Driver



Rubber Mallet



Compressor



Nail Gun



Stapler



Senco Fastener

Safety Tools:

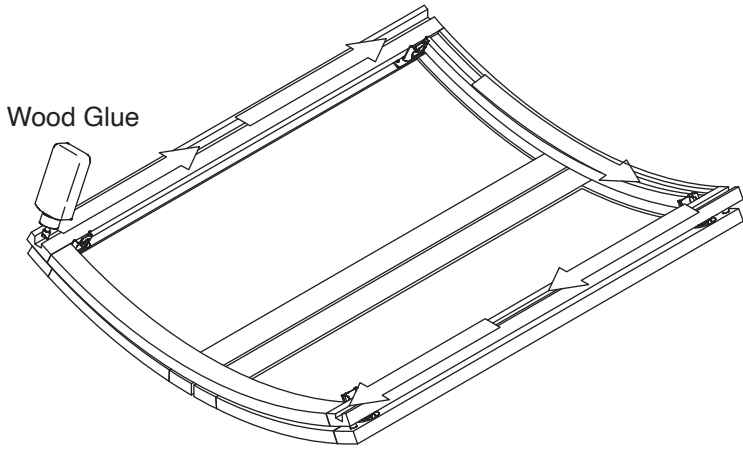


Eye Wear

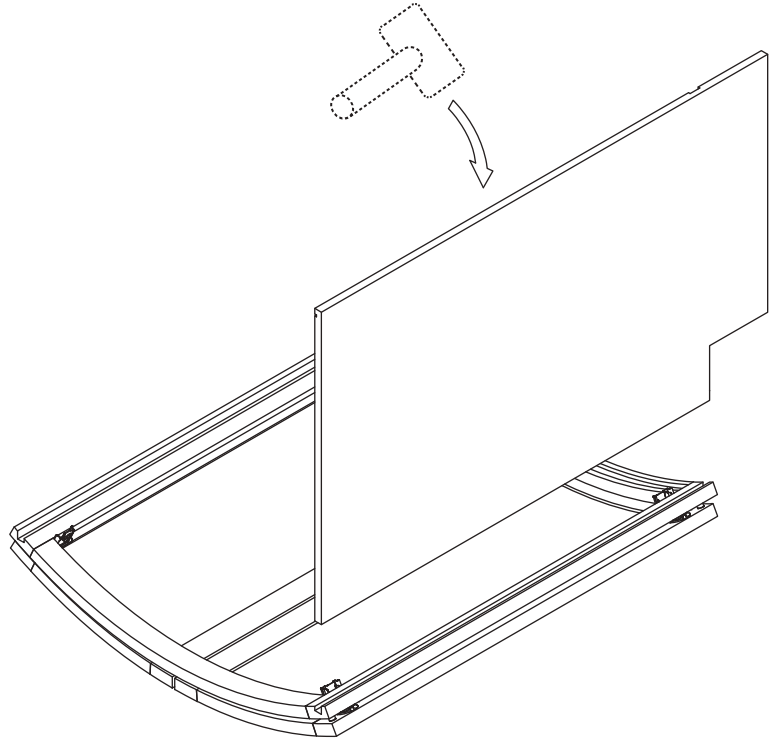


Gloves

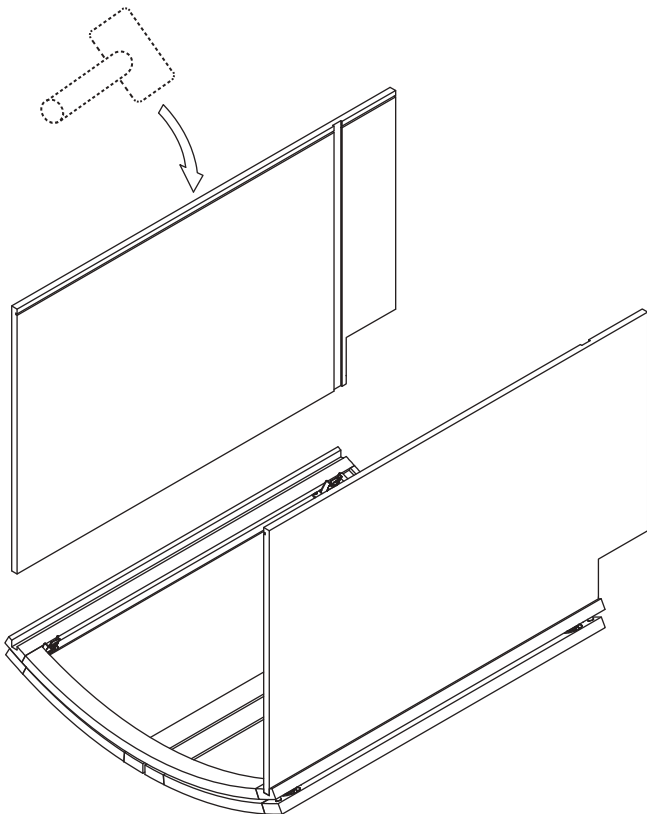
Step 1:



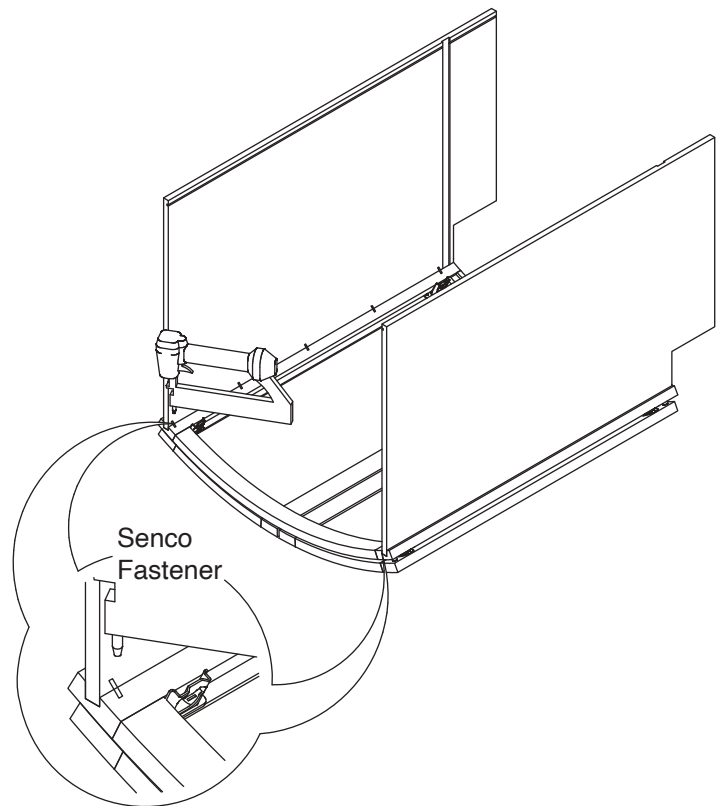
Step 2:



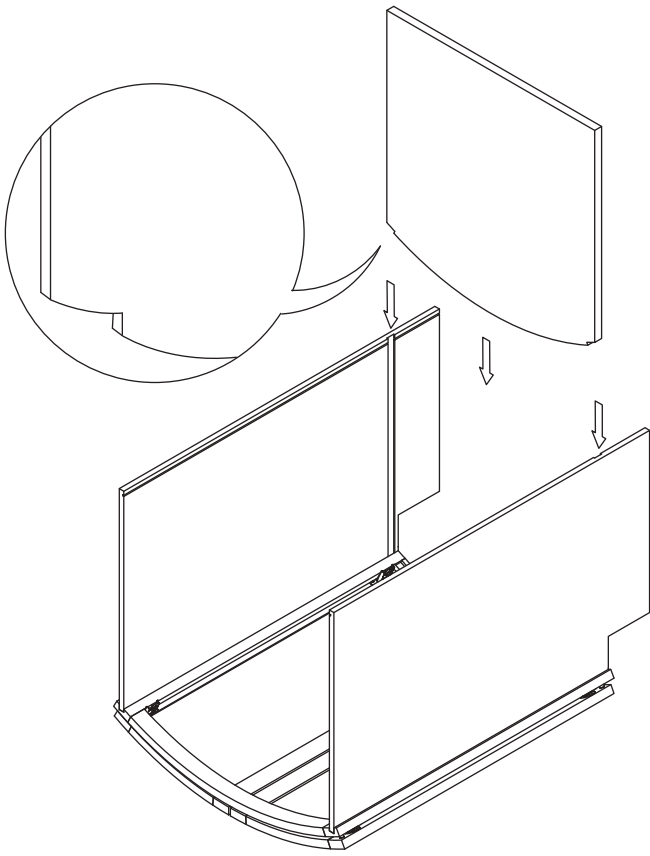
Step 3:



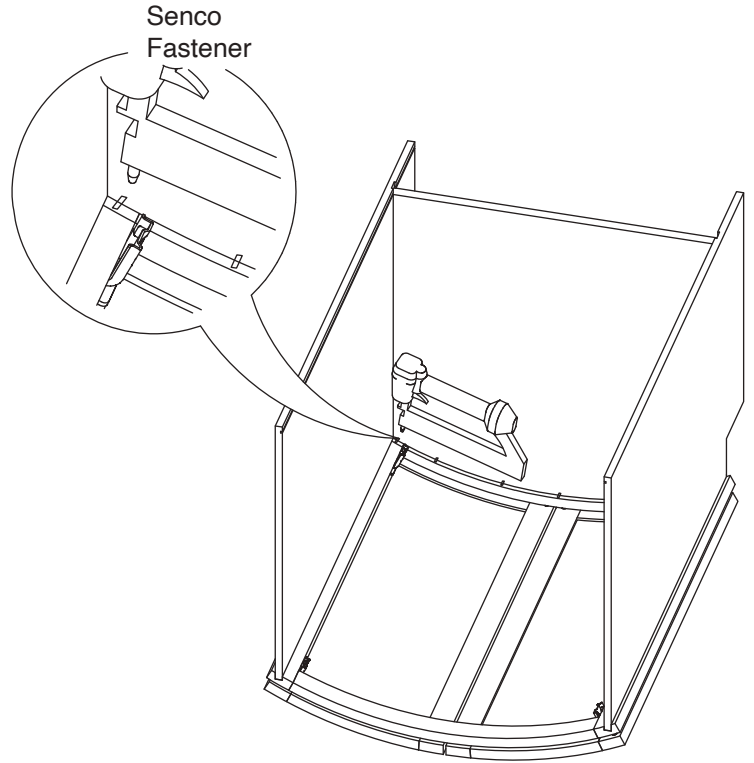
Step 4:



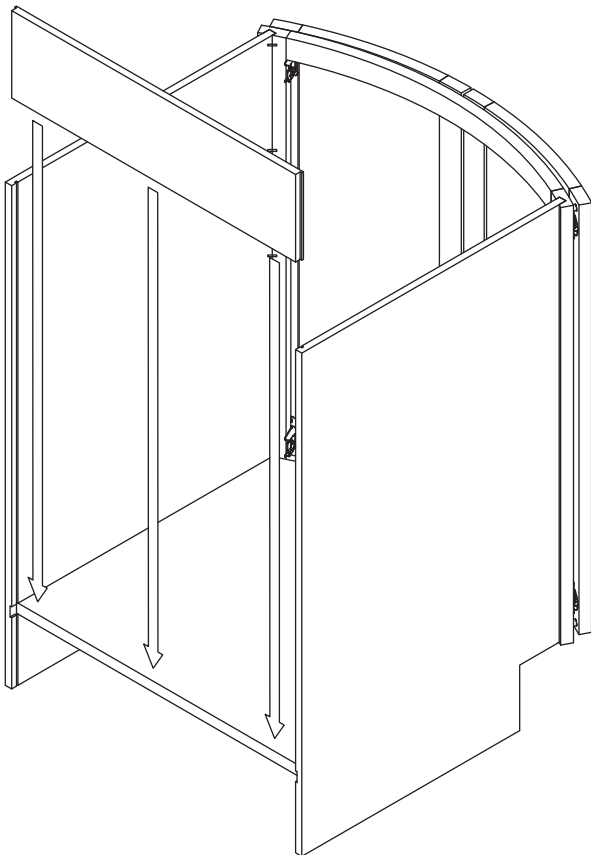
Step 5:



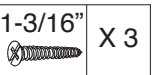
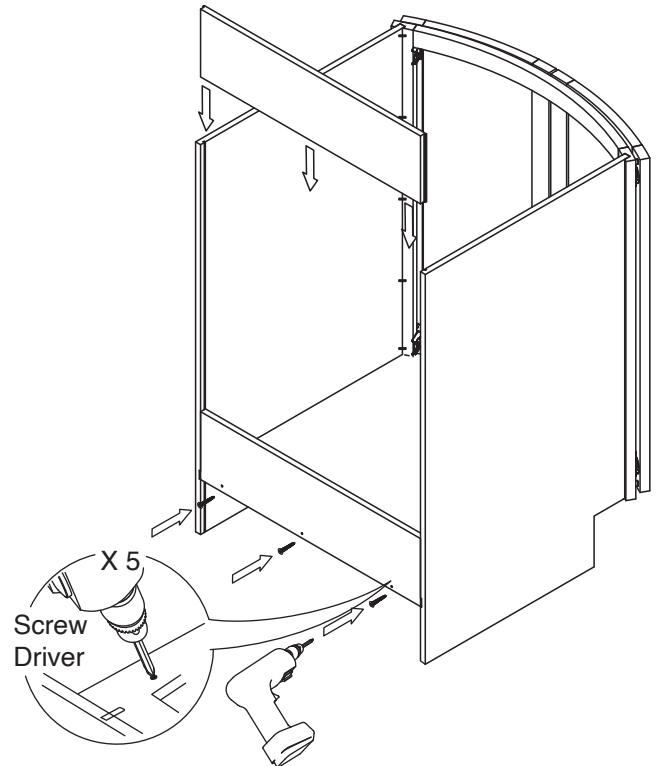
Step 6:



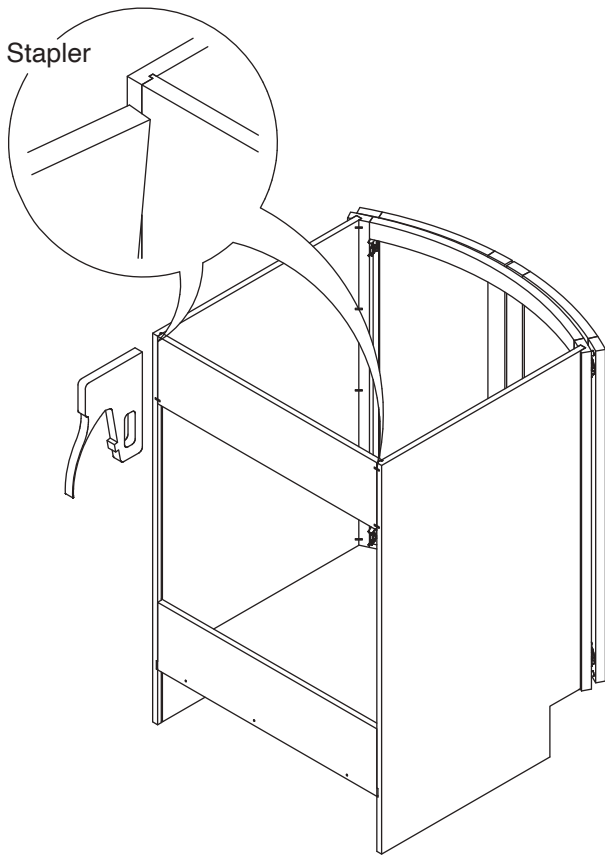
Step 7:



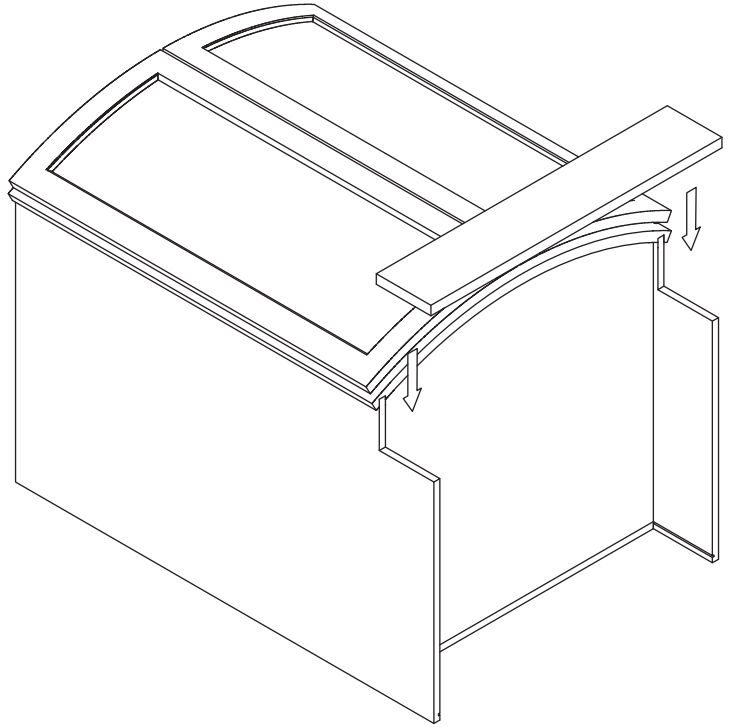
Step 8:



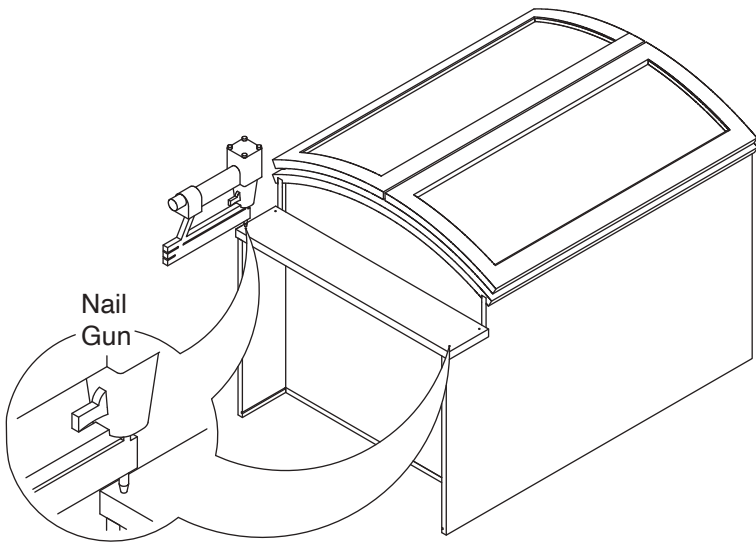
Step 9:



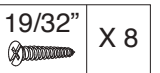
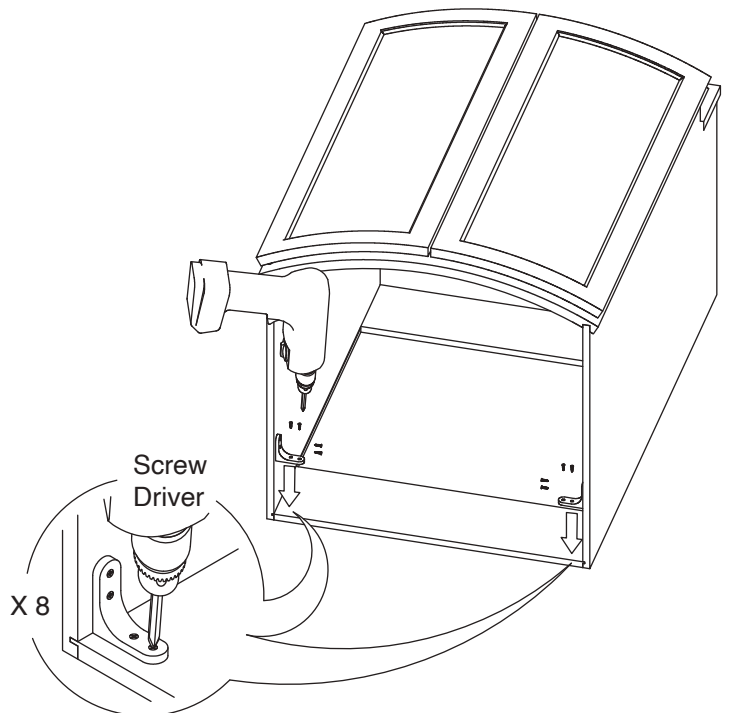
Step 10:



Step 11:



Step 12:



Step 13:

