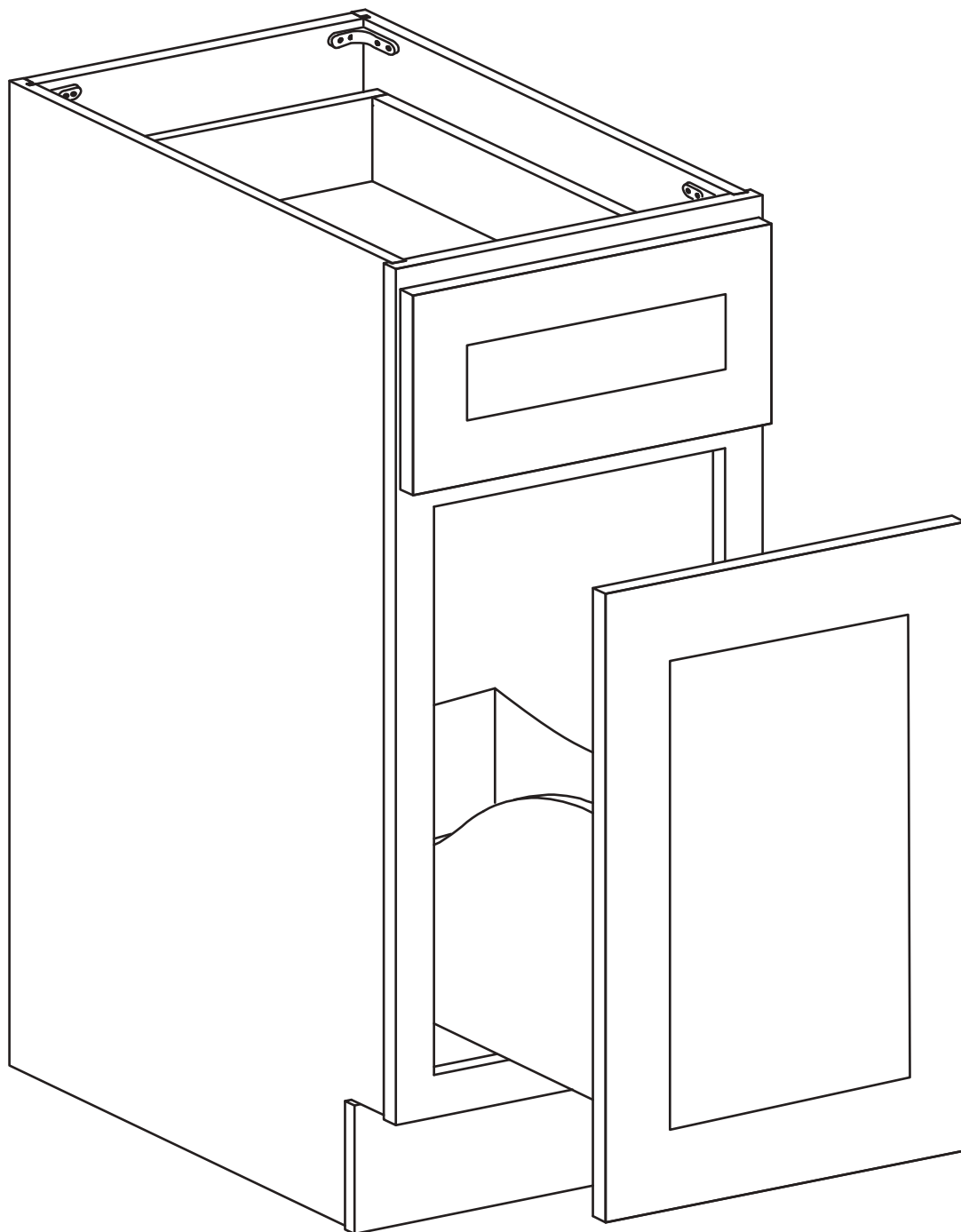


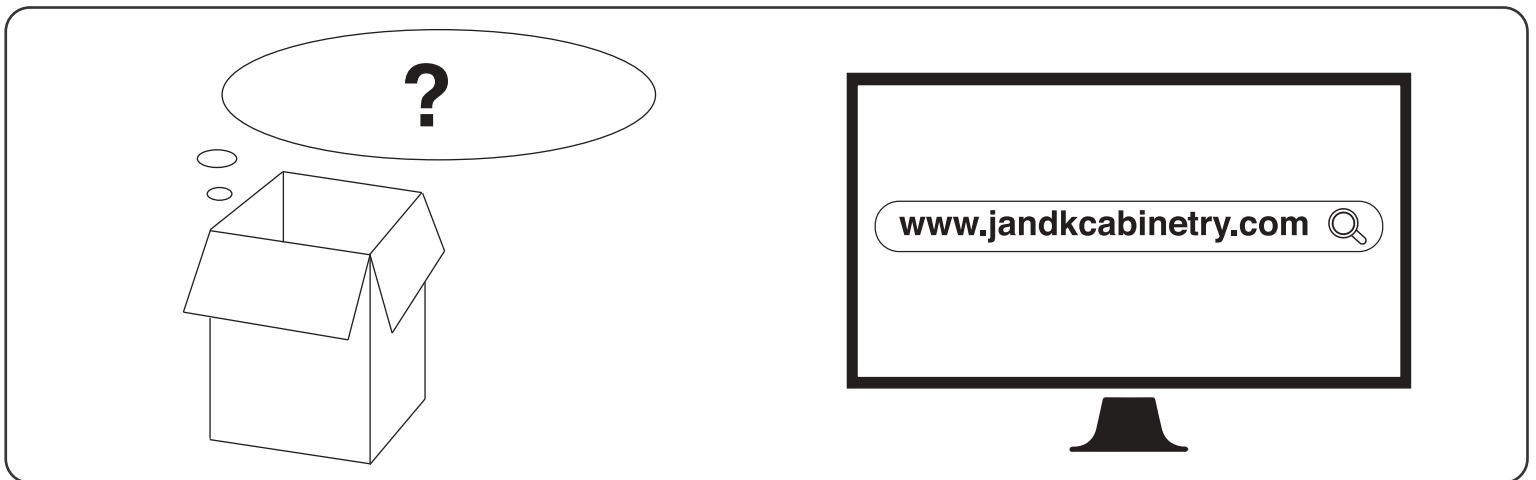
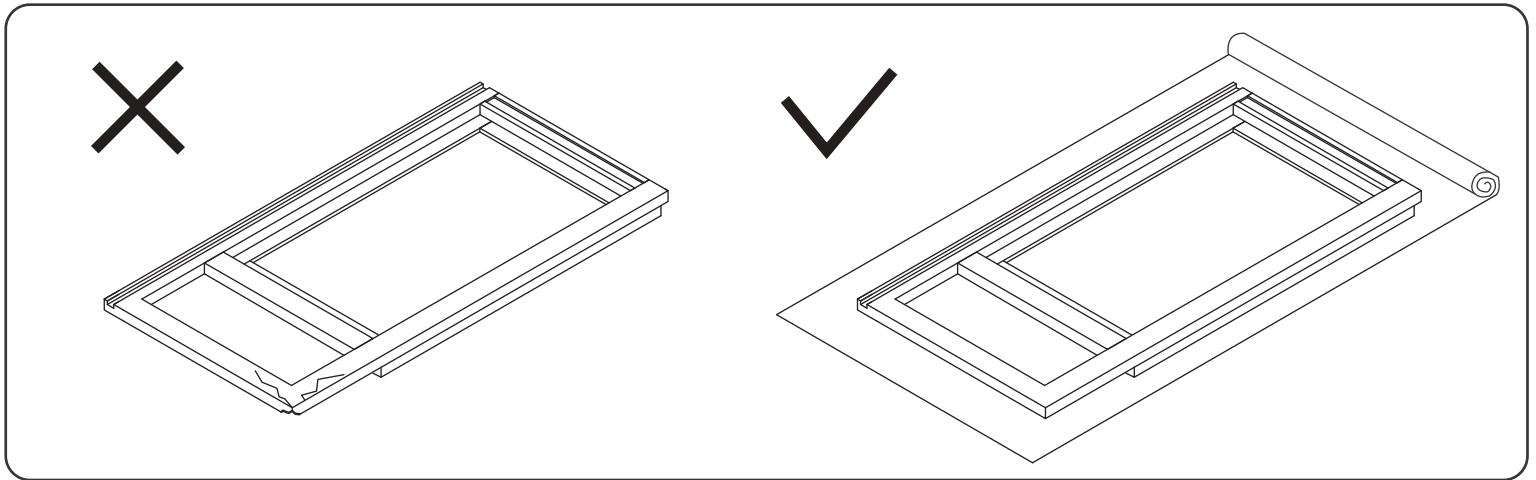
Assembly Instruction

2020 Edition



Waste Bin Base Cabinet

Item Code:
BWBK15-1



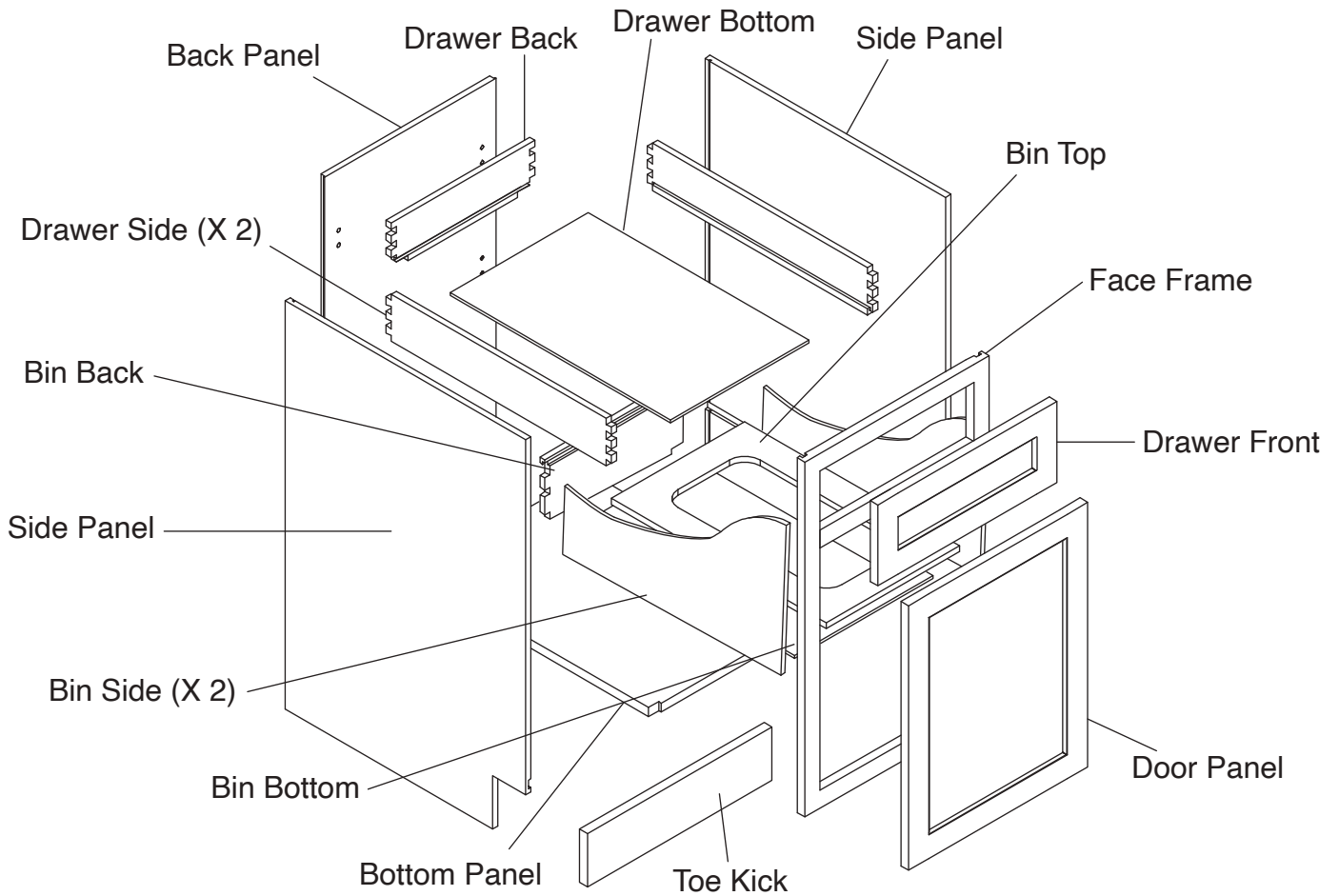
! **WARNING:**






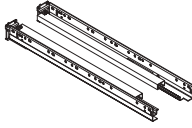
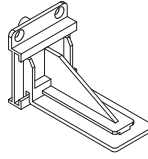
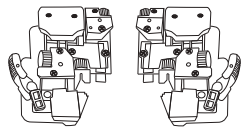
1. Please be careful when opening the box with boxcutter and/or blade.
2. J&K Cabinetry is not responsible for any injuries and/or damages incurred during cabinet assembly.

? **SERVICE:**

During the installation process, if you encounter any problems, please go to our official website: www.jandkcabinetry.com, check the full version assembly instruction or watch the assembly video online.

Included Items:



							
90° Brackets X 4	Screws X 12	Screws X 16	Screws X 3	Door Bumpers X 8	Under Mount Drawer Glide Kit X 2	Glide Supports X 4	Glide Locking Kit X 2

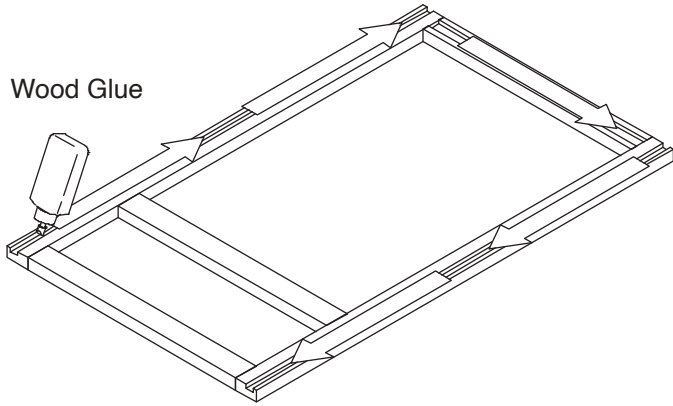
Recommended Tools:



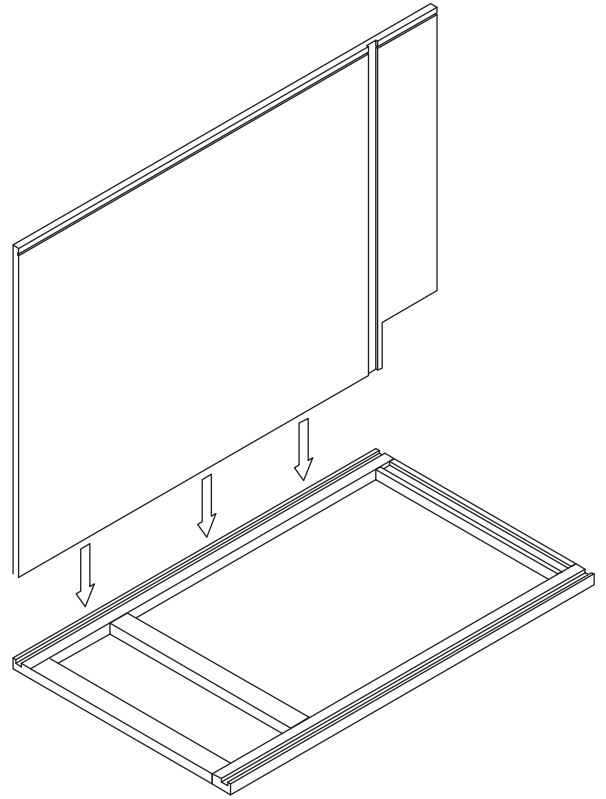
Safety Tools:



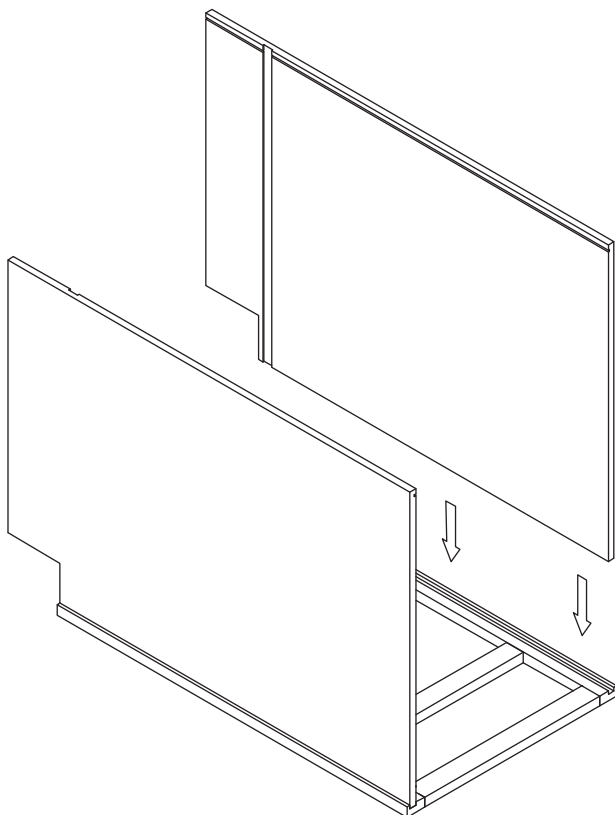
Step 1:



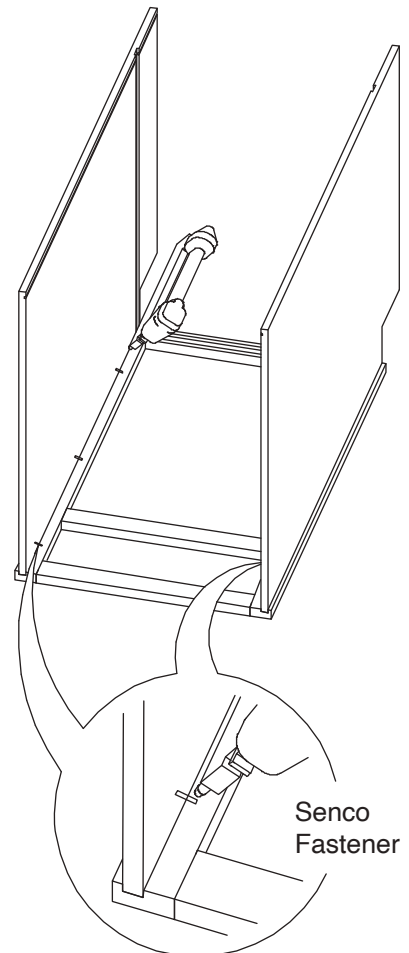
Step 2:



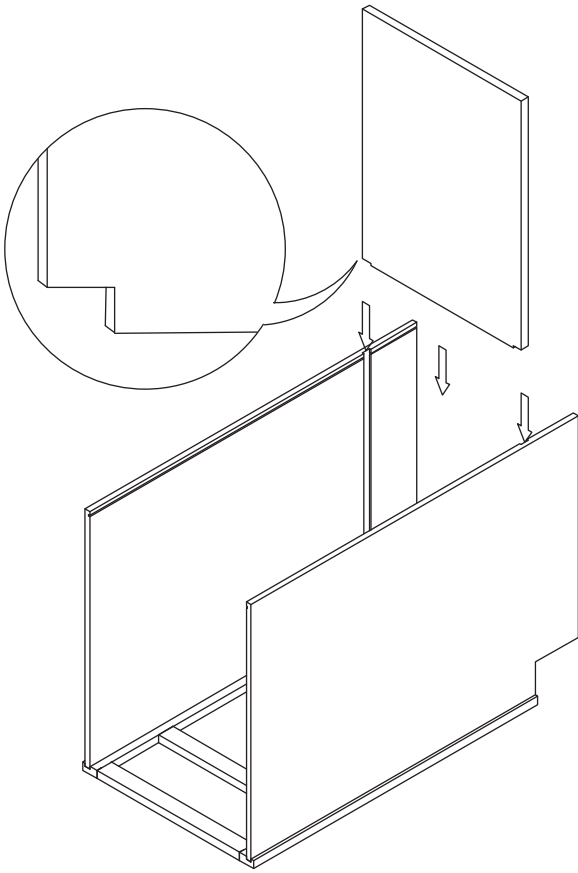
Step 3:



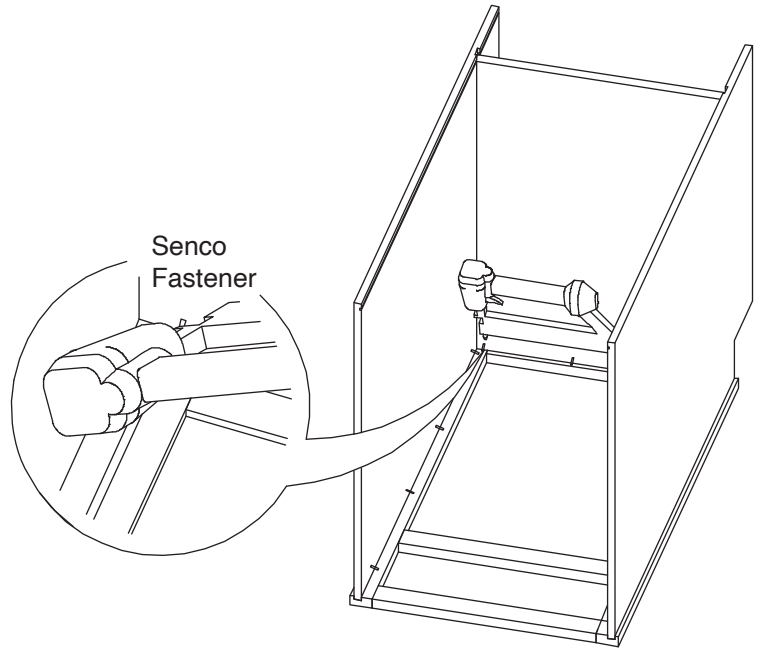
Step 4:



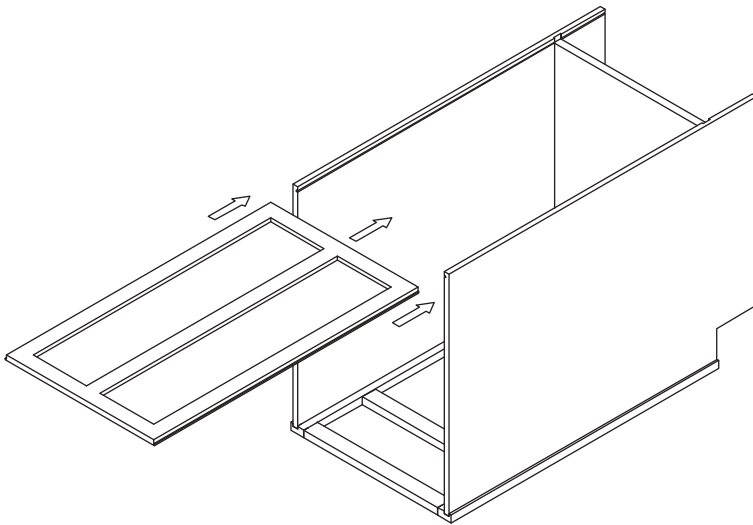
Step 5:



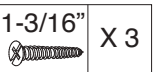
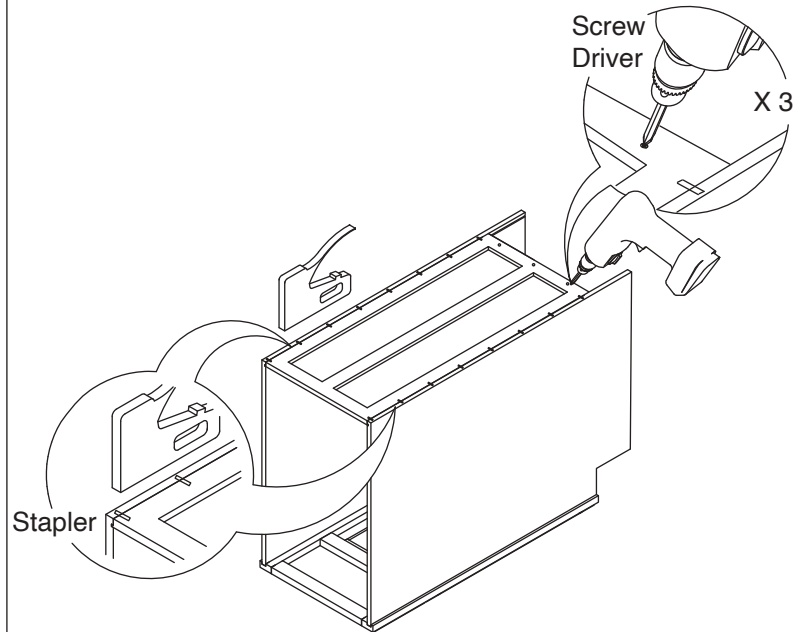
Step 6:



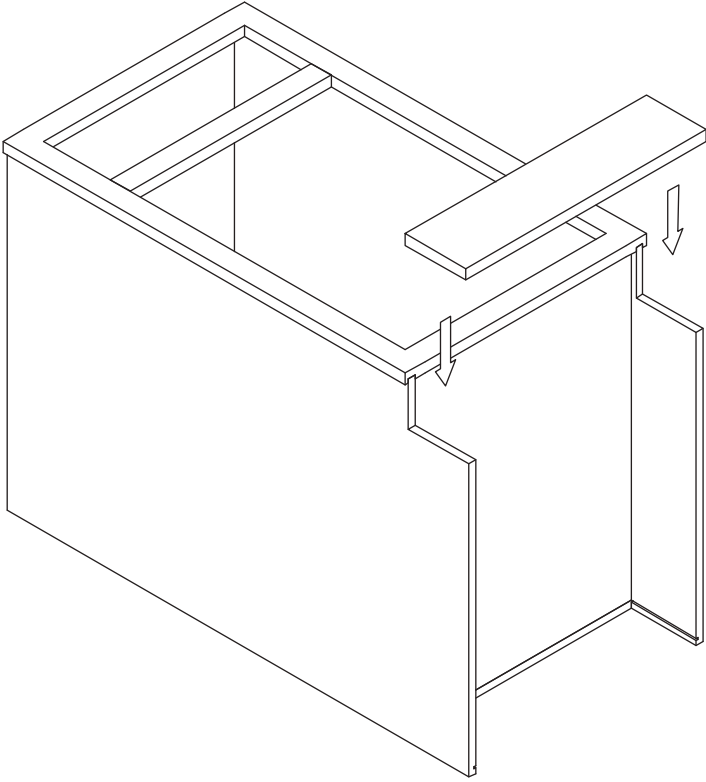
Step 7:



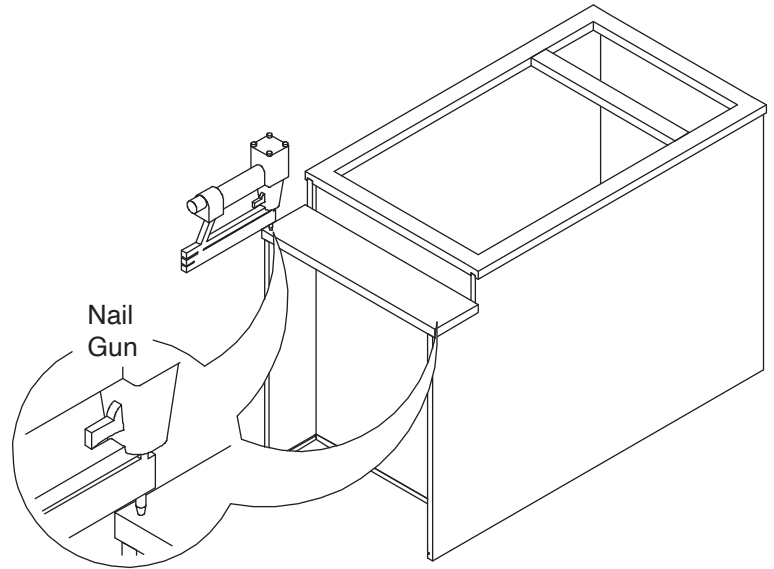
Step 8:



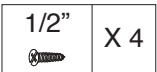
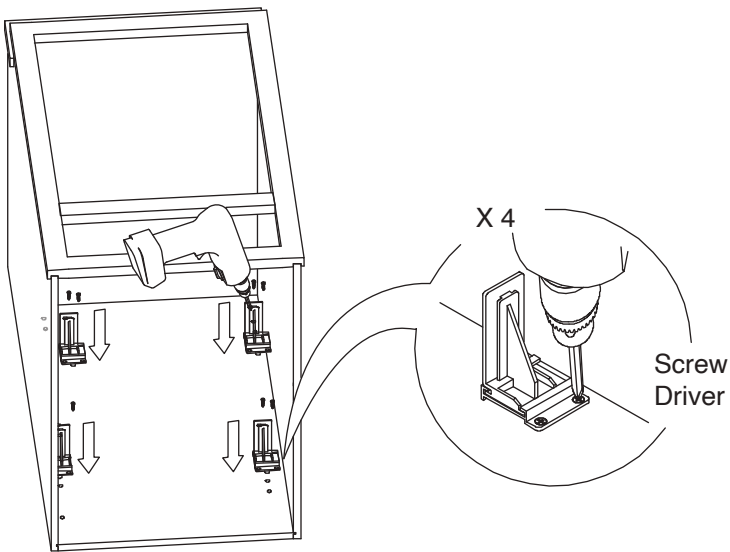
Step 9:



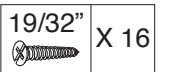
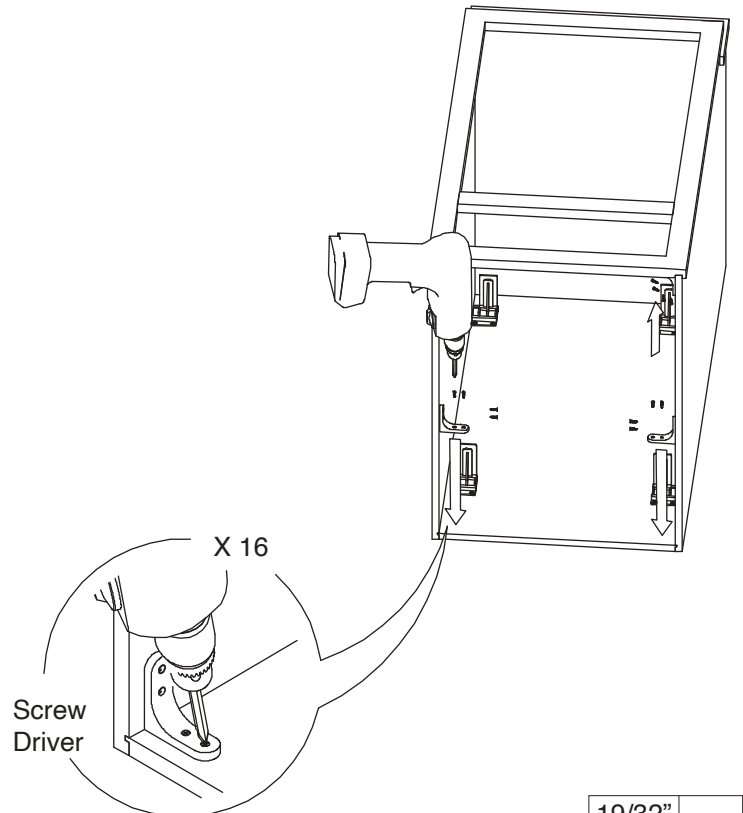
Step 10:



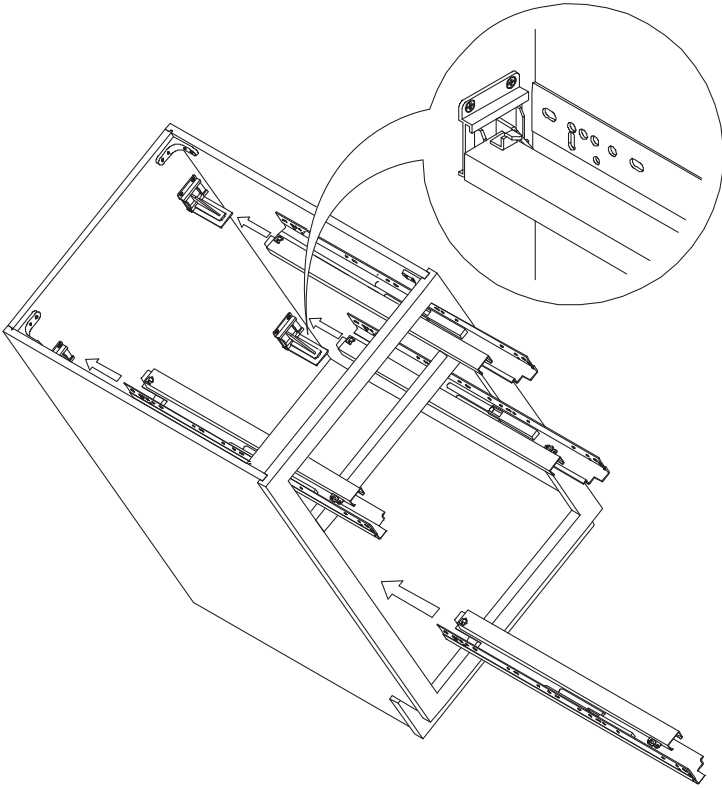
Step 11:



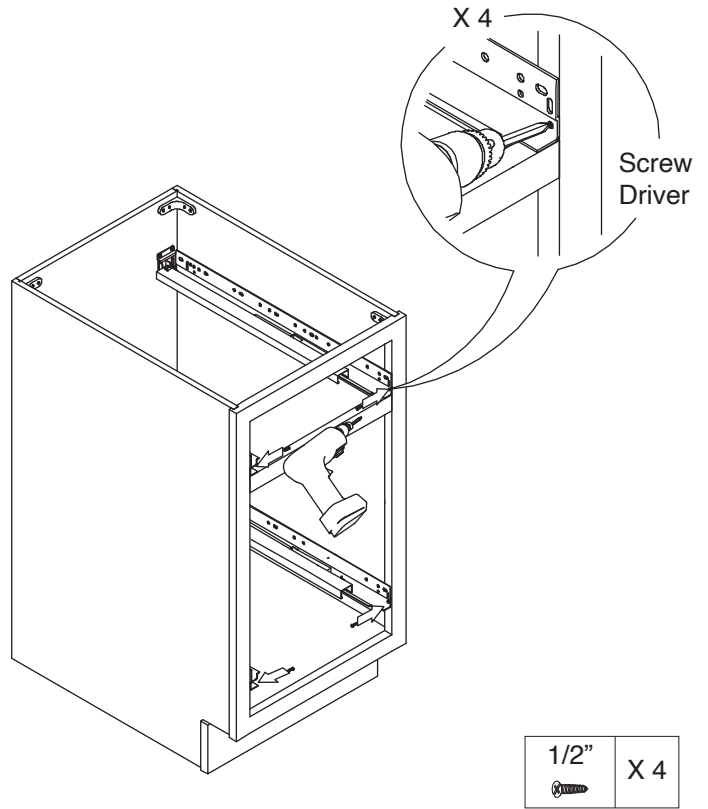
Step 12:



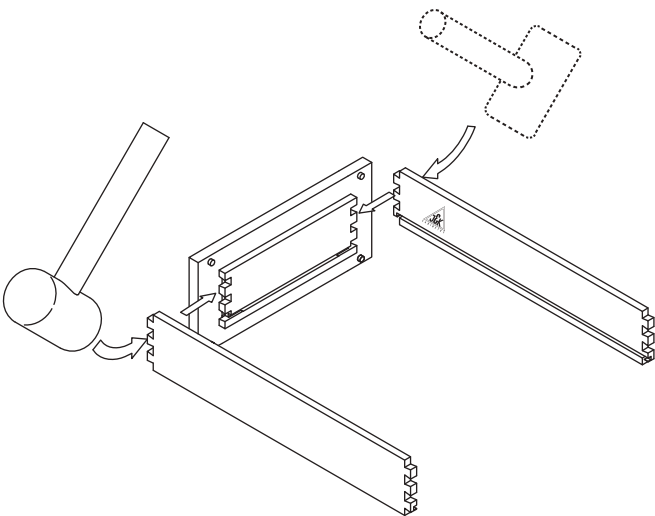
Step 13:



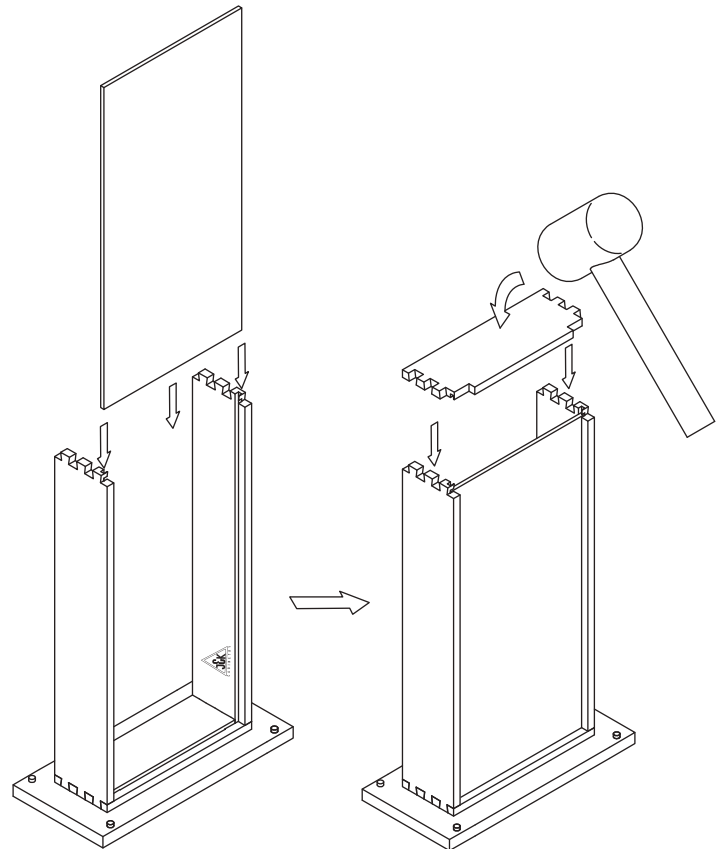
Step 14:



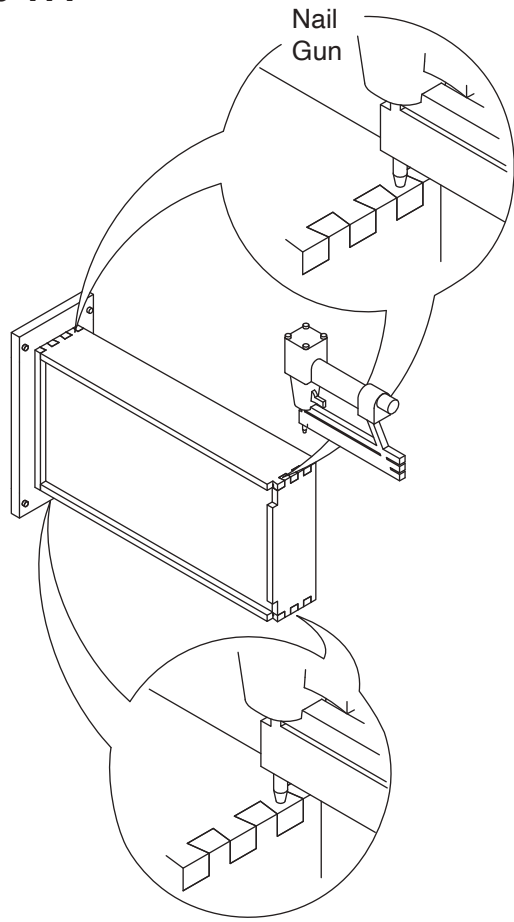
Step 15:



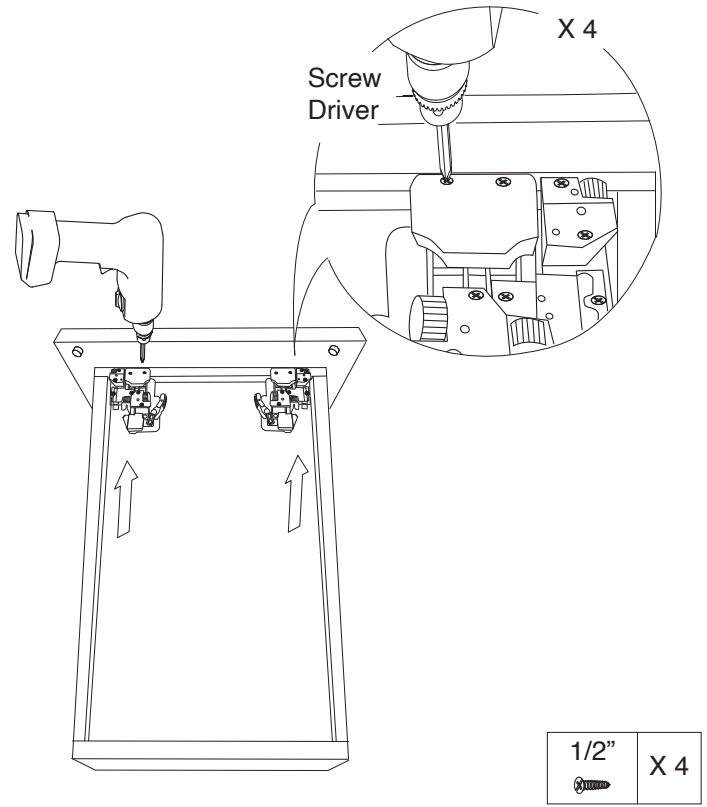
Step 16:



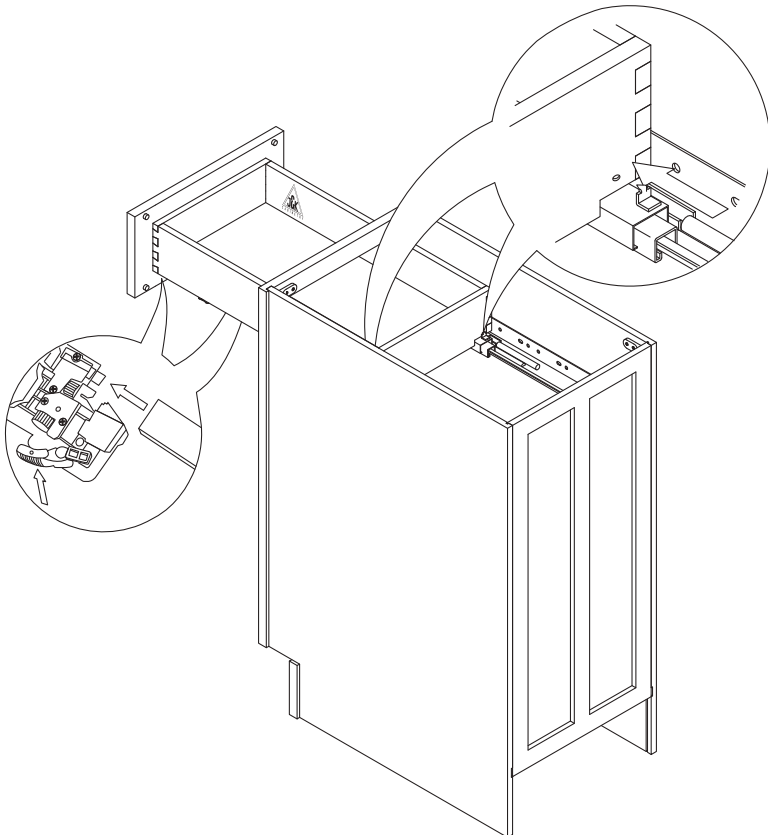
Step 17:



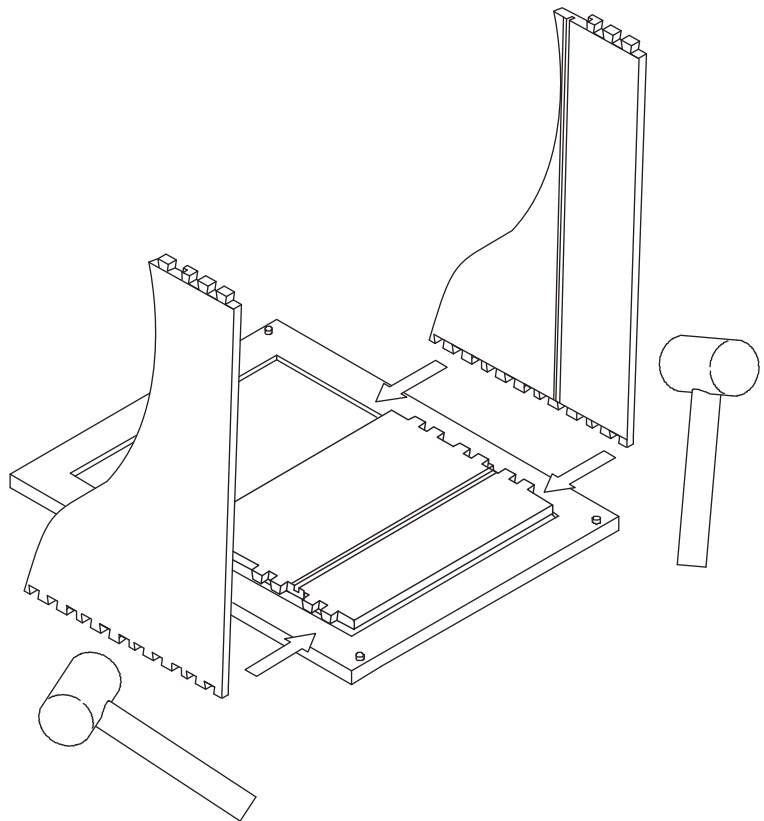
Step 18:



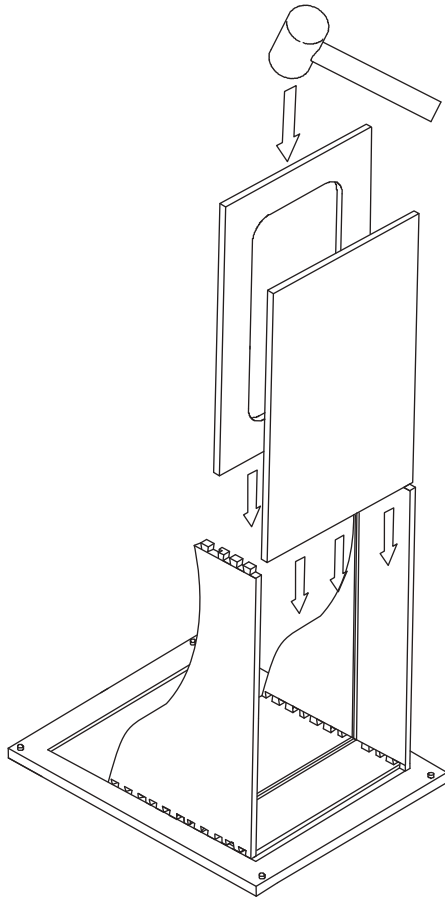
Step 19:



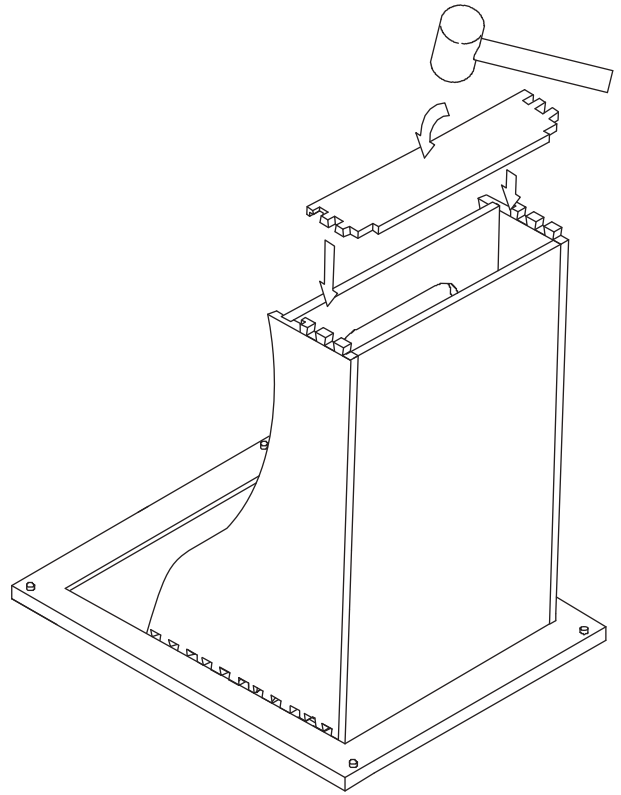
Step 20:



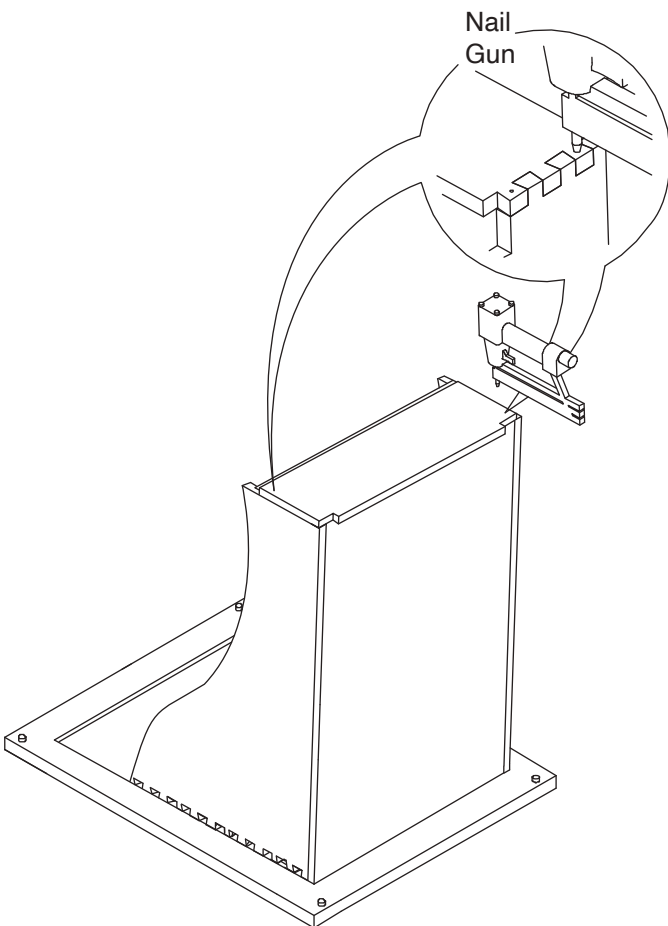
Step 21:



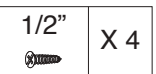
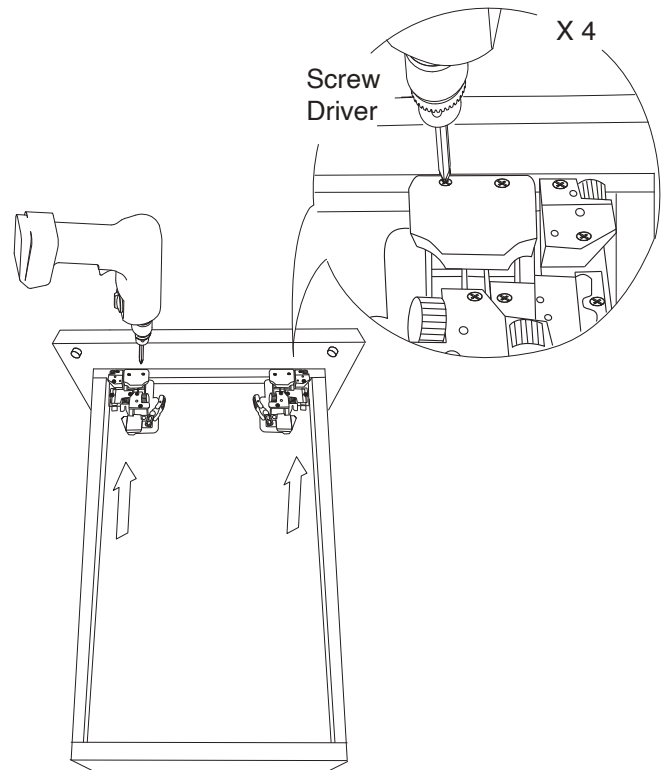
Step 22:



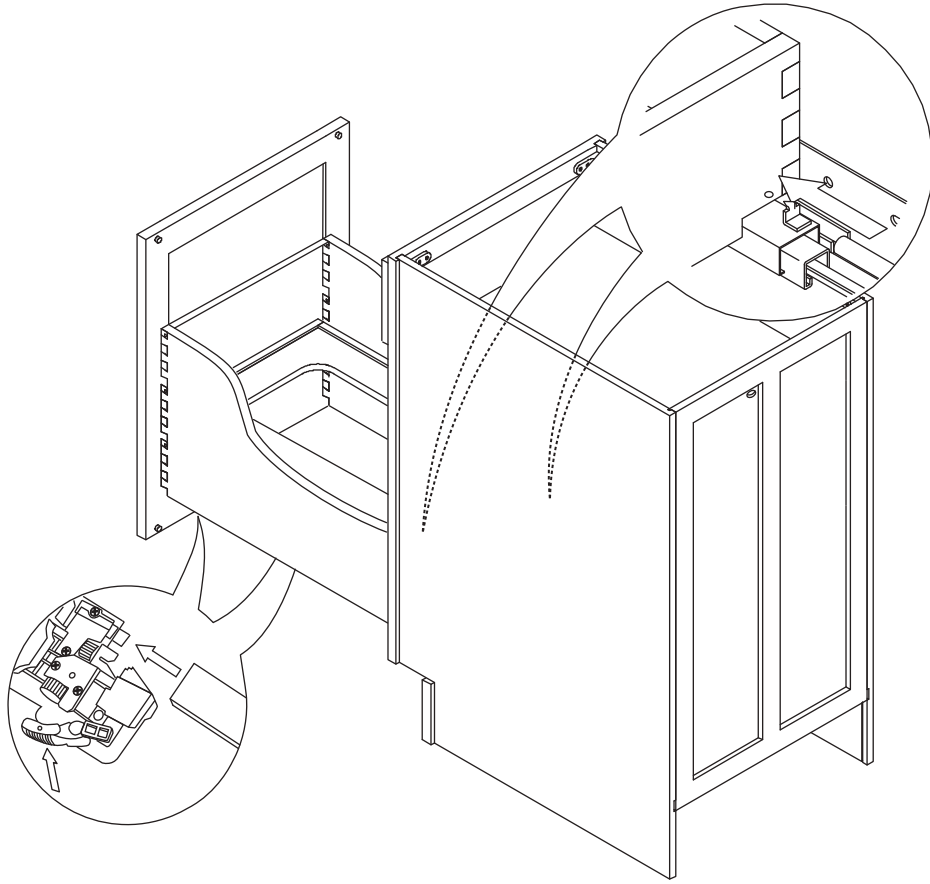
Step 23:



Step 24:



Step 25:



Step 26:

