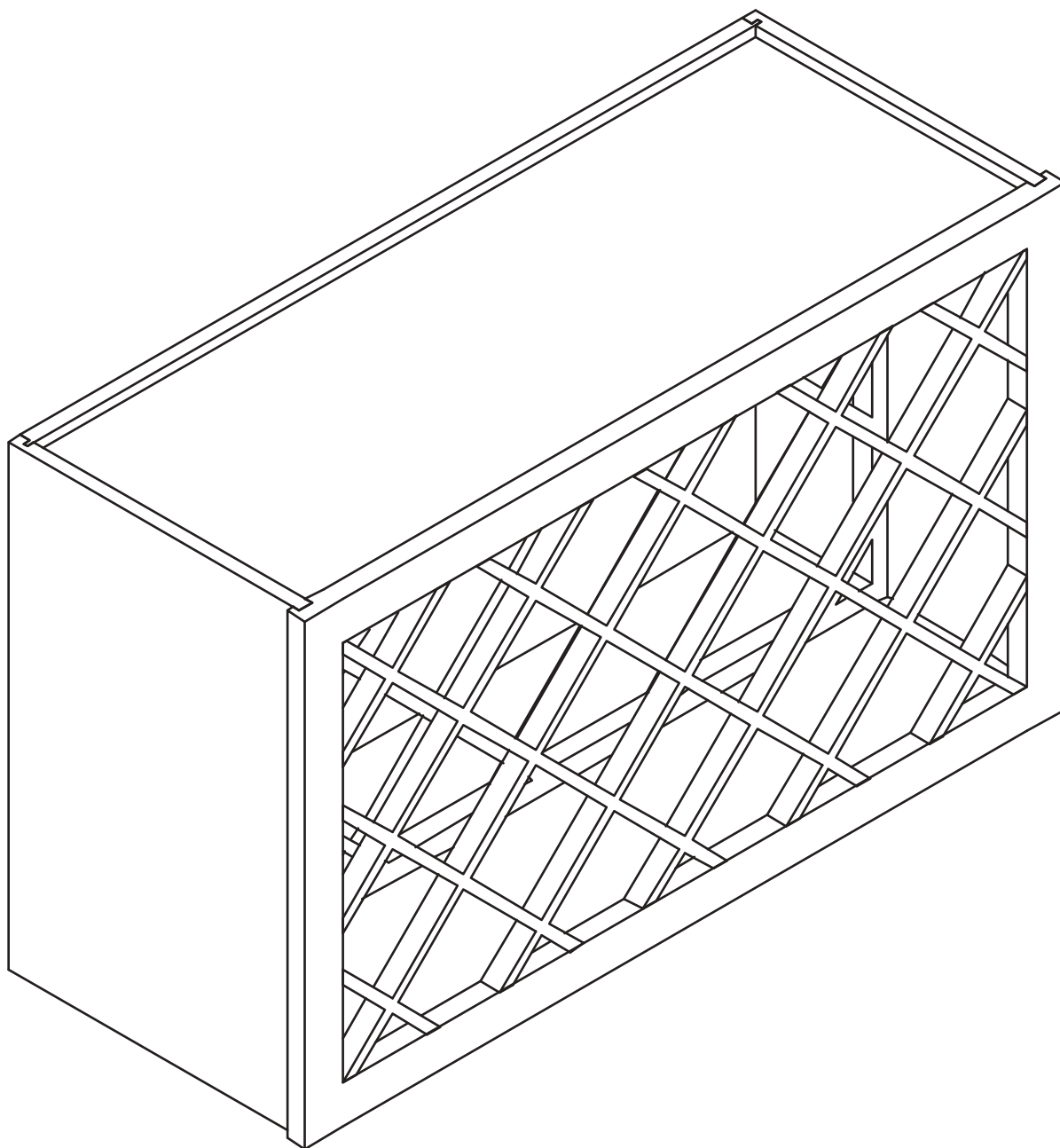


# Assembly Instruction

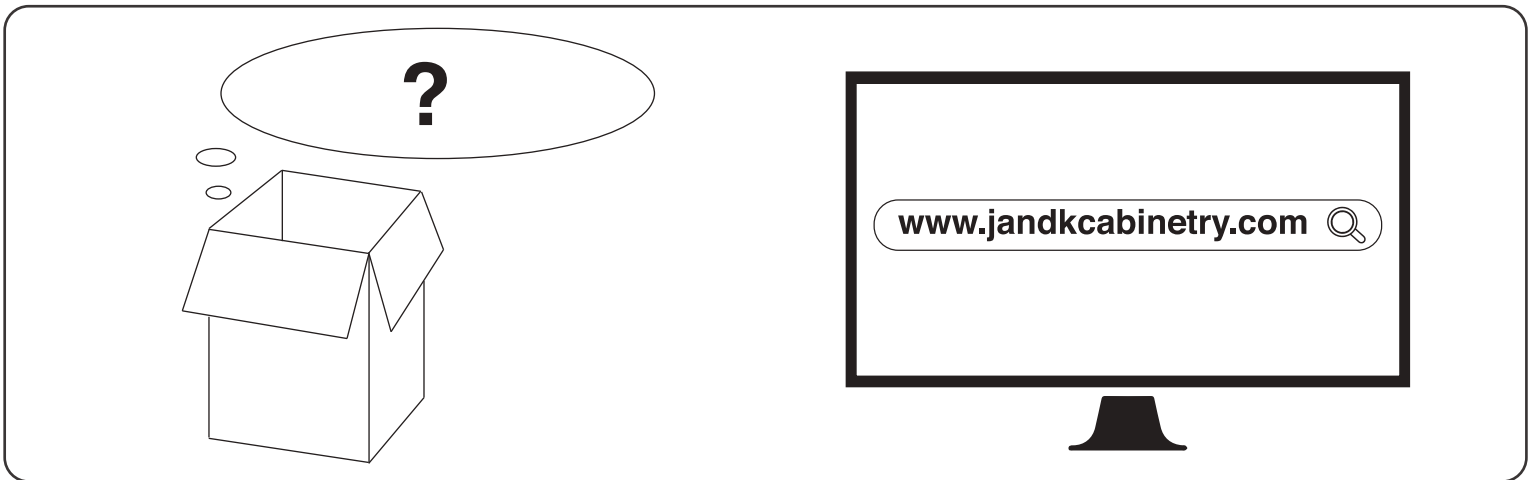
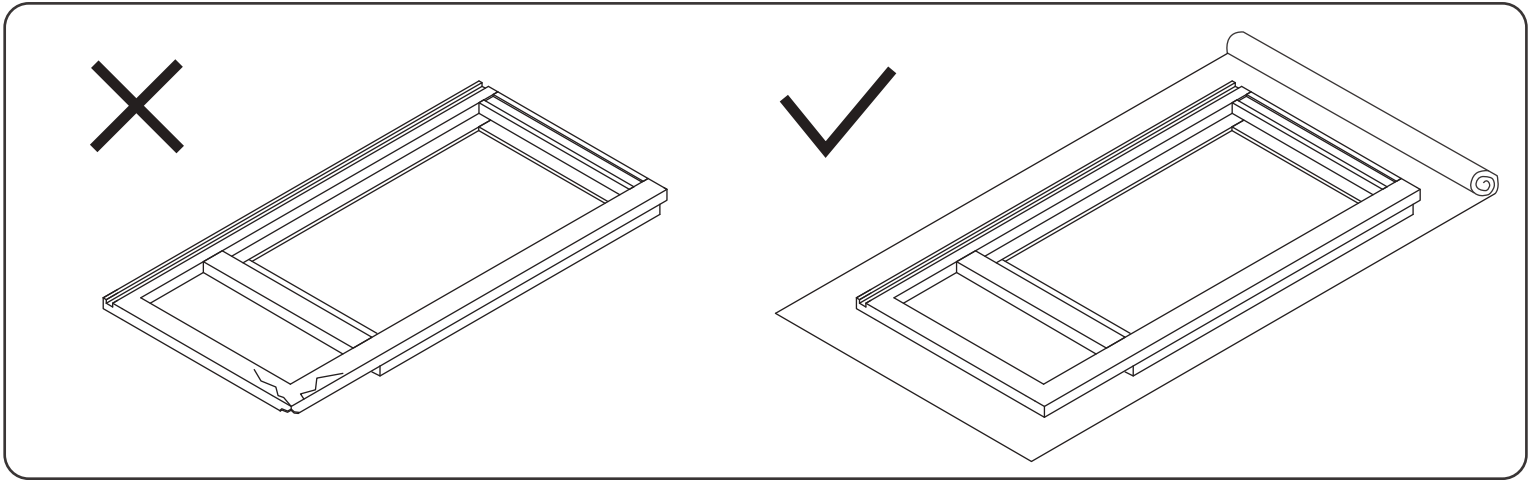
2020 Edition



**Wine Rack**

Item Code:

30WR, 36WR



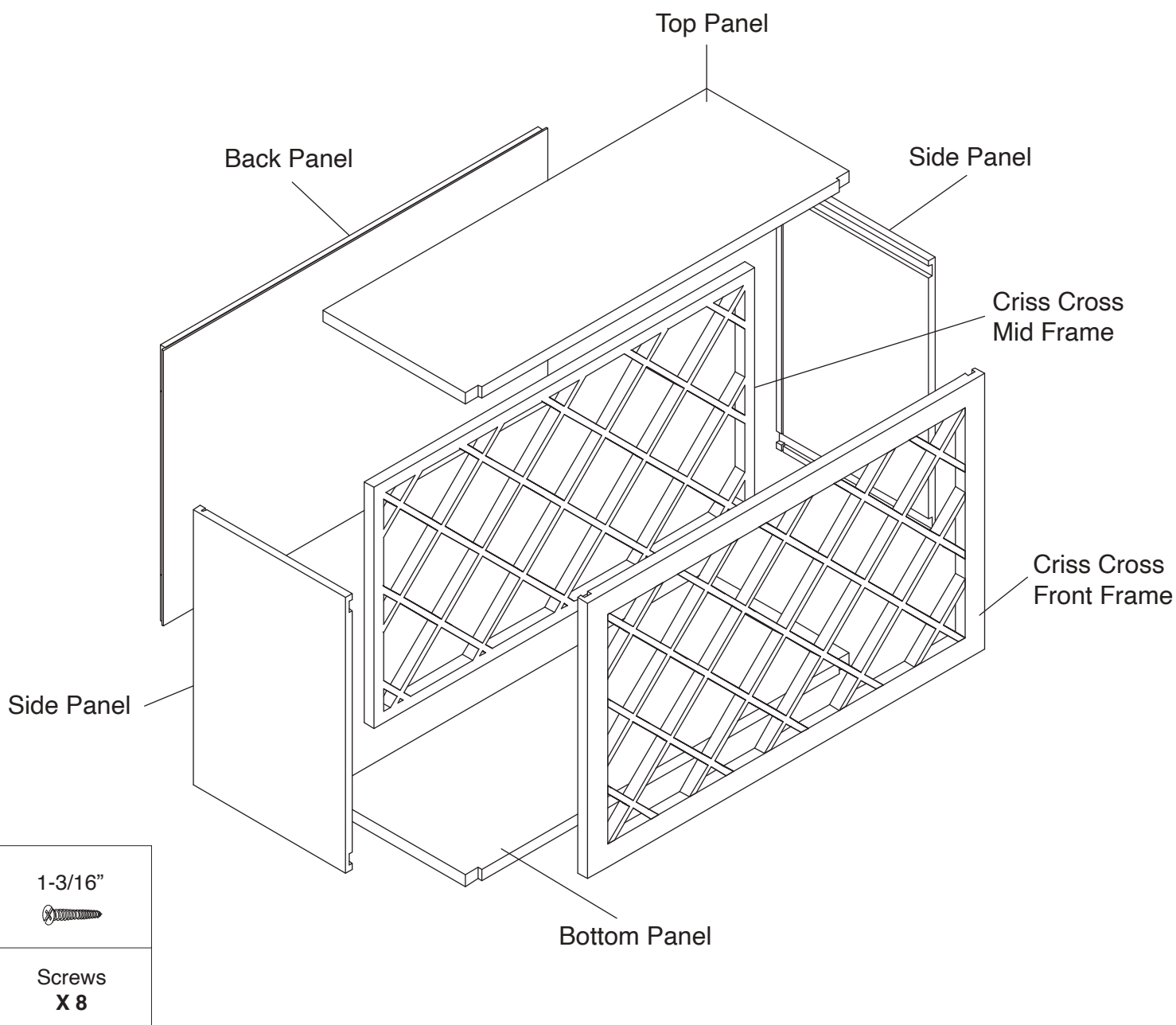
**! WARNING:**

1. Please be careful when opening the box with boxcutter and/or blade.
2. J&K Cabinetry is not responsible for any injuries and/or damages incurred during cabinet assembly.

**? SERVICE:**

During the installation process, if you encounter any problems, please go to our official website: [www.jandkcabinetry.com](http://www.jandkcabinetry.com), check the full version assembly instruction or watch the assembly video online.

# Included Items:



## Recommended Tools:



Wood Glue



Screw Driver



Rubber Mallet



Compressor



Nail Gun



Stapler



Senco Fastener

## Safety Tools:



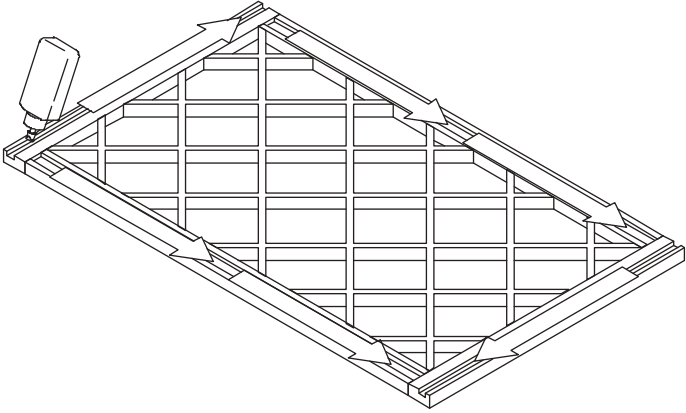
Eye Wear



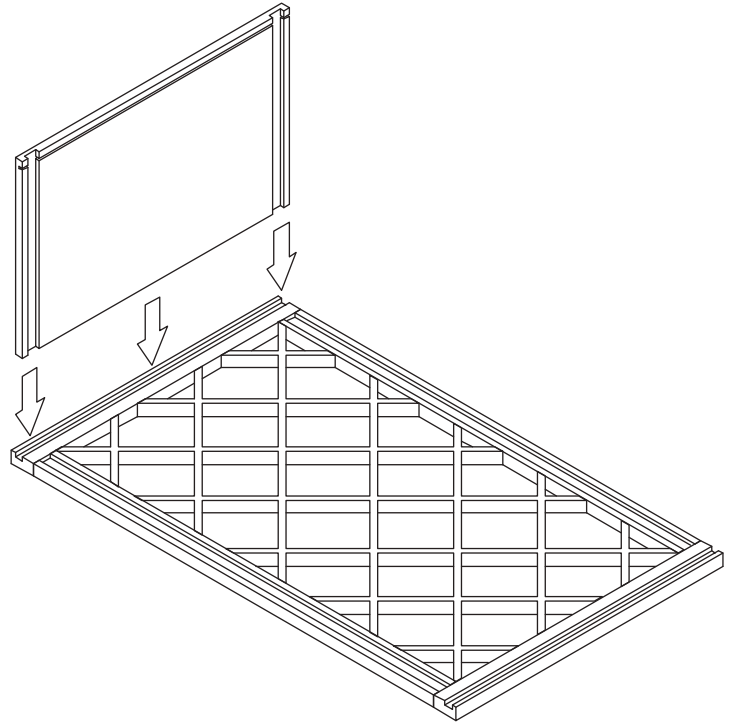
Gloves

### Step 1:

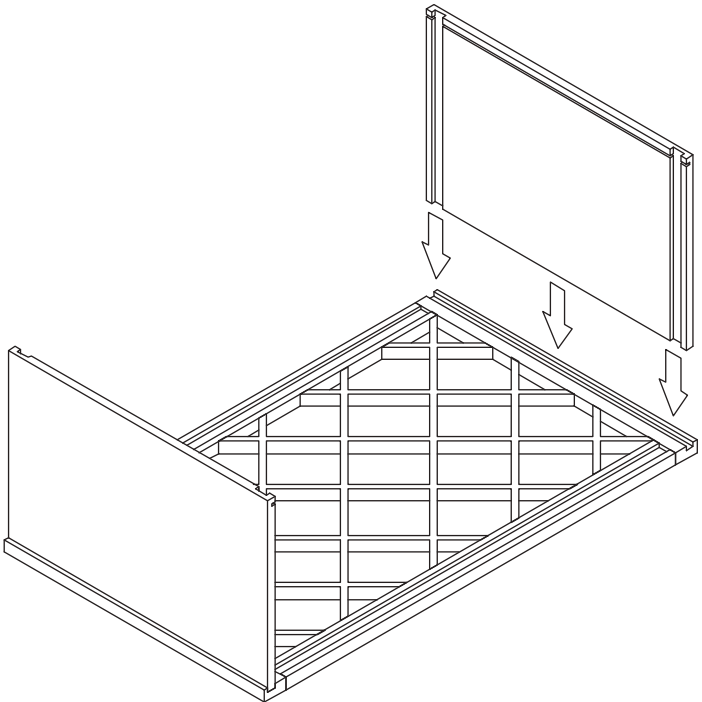
Wood Glue



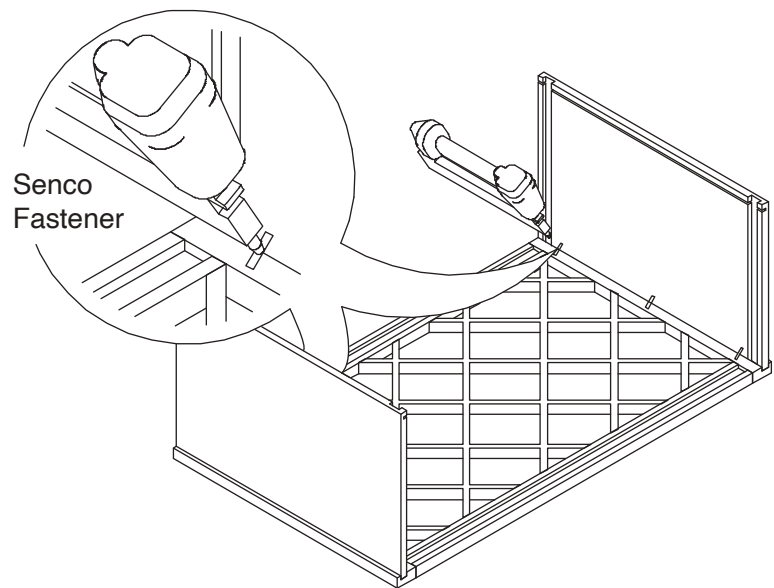
### Step 2:



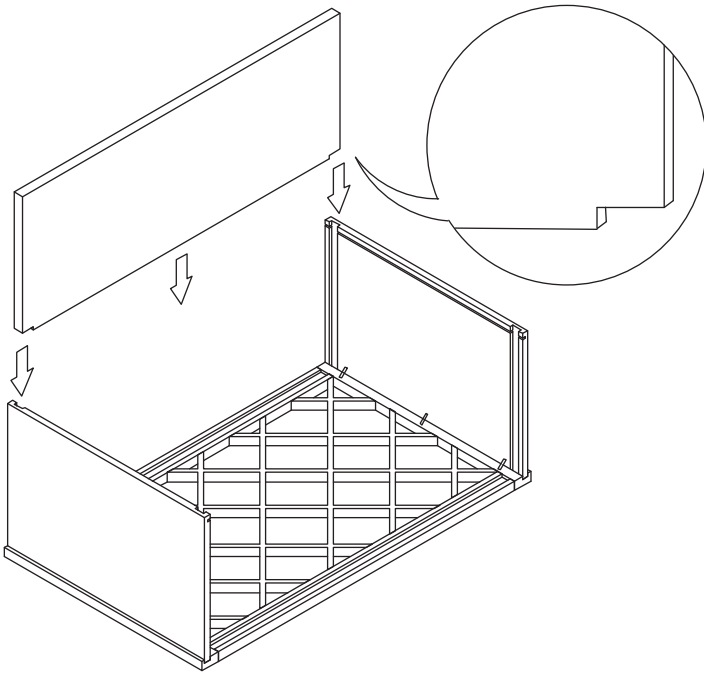
### Step 3:



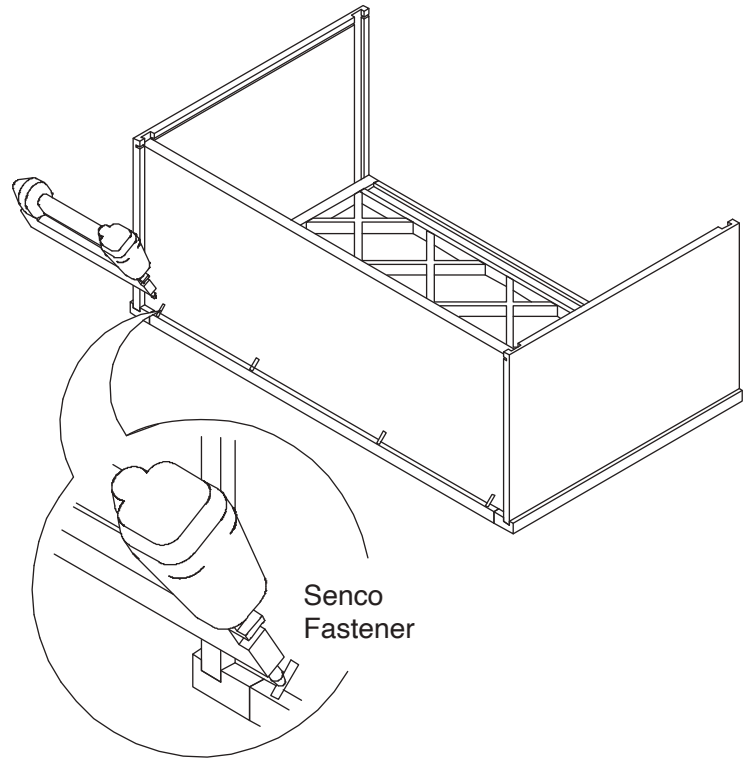
### Step 4:



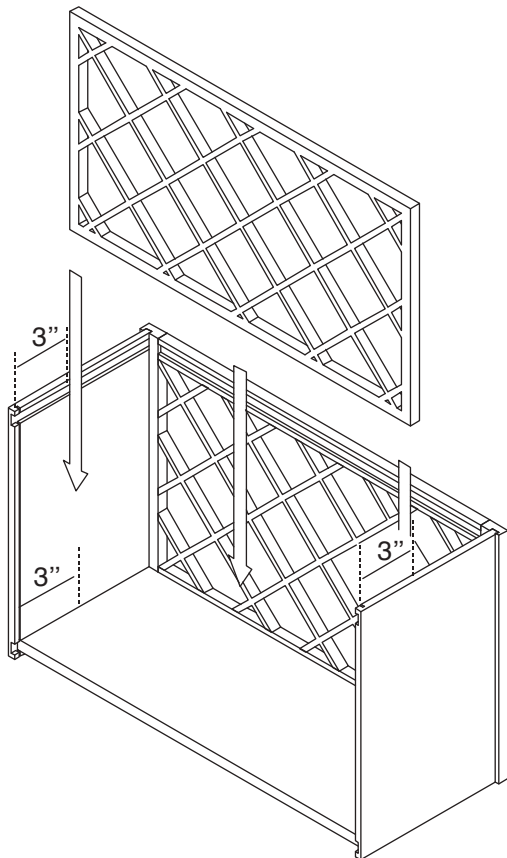
### Step 5:



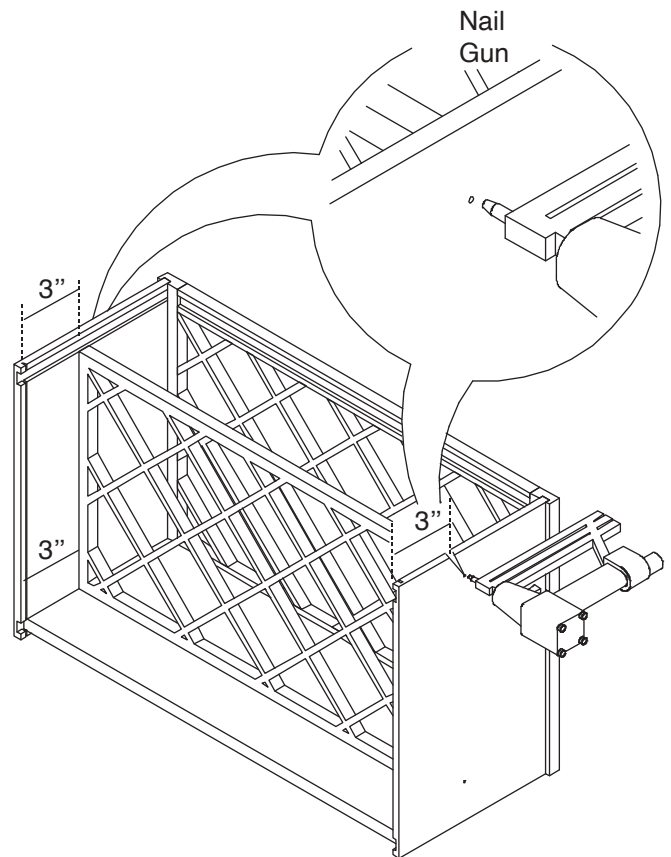
### Step 6:



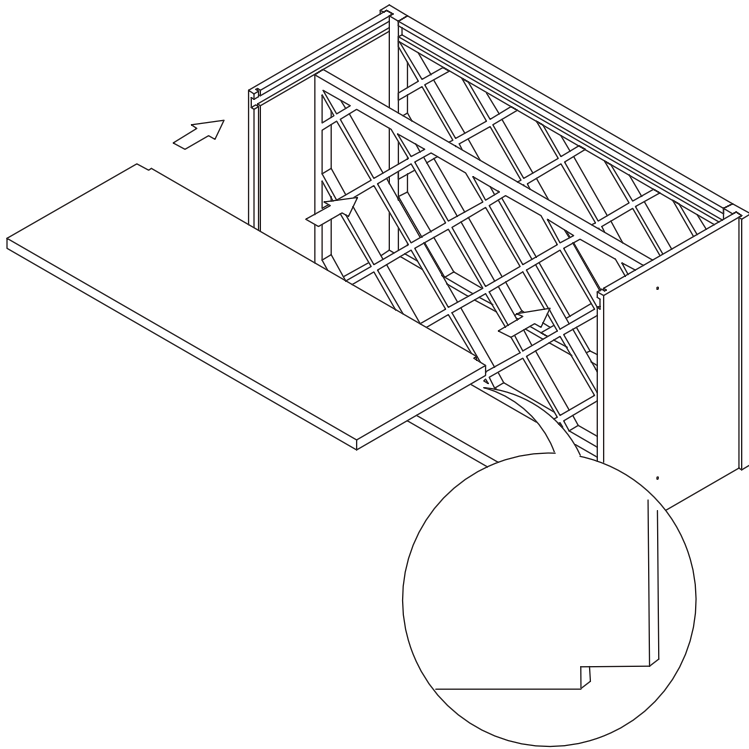
### Step 7:



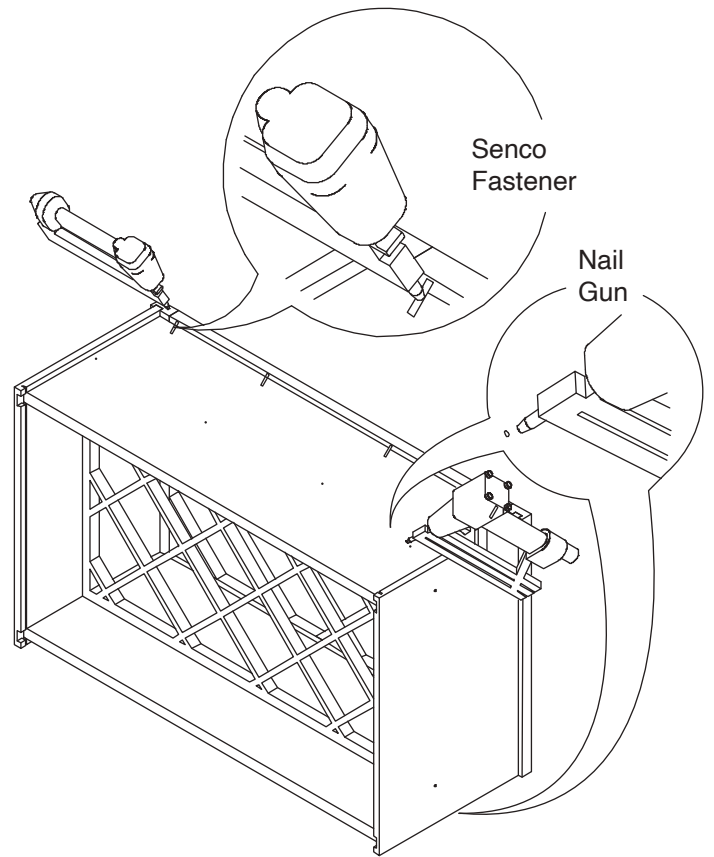
### Step 8:



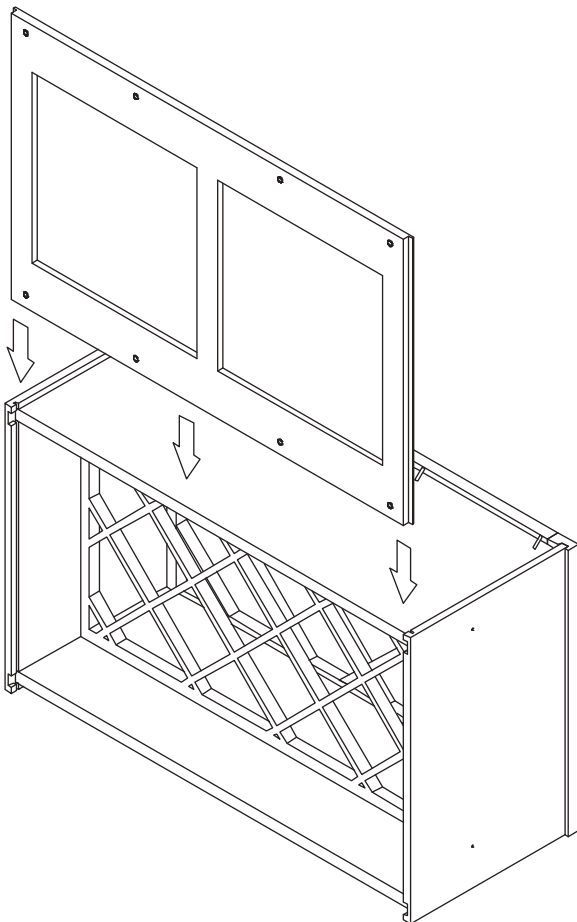
### Step 9:



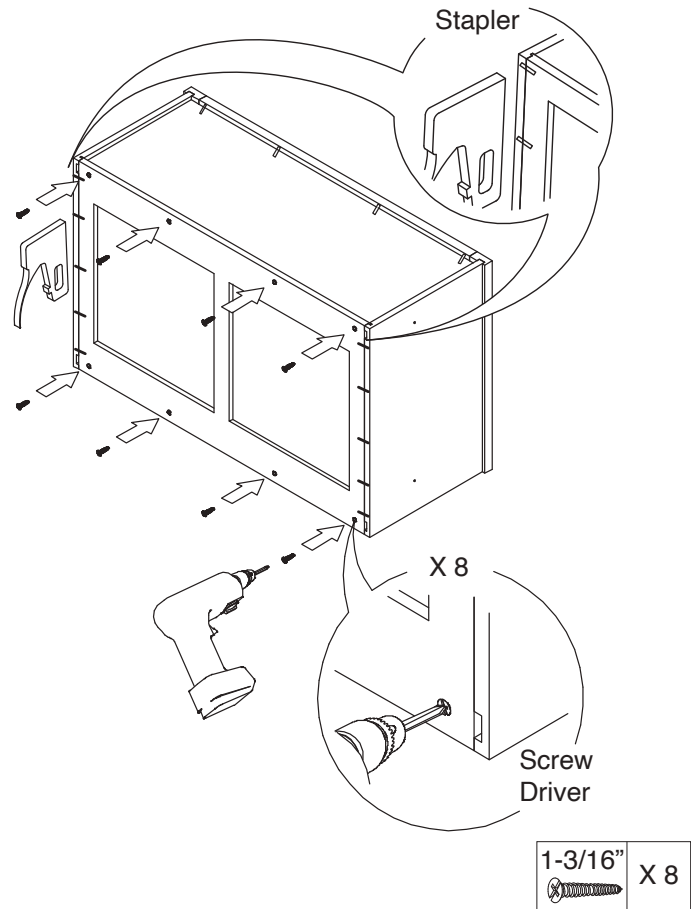
### Step 10:



### Step 11:



### Step 12:



**Step 13:**

